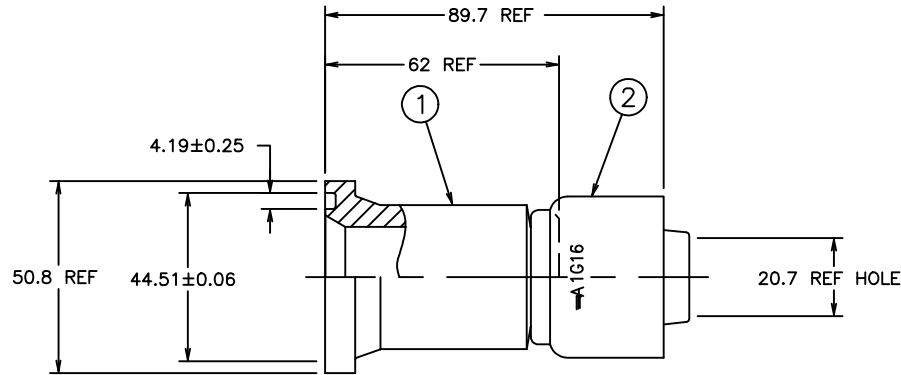


THE REPRODUCTION, DISTRIBUTION AND UTILIZATION OF THIS DOCUMENT AS WELL AS THE COMMUNICATION OF ITS CONTENTS TO OTHERS WITHOUT EXPLICIT AUTHORIZATION IS PROHIBITED. OFFENDERS WILL BE HELD LIABLE FOR THE PAYMENT OF DAMAGES. ALL RIGHT RESERVED IN THE EVENT OF THE GRANT OF A PATENT, UTILITY MODEL OR DESIGN. (PER ISO 18018)

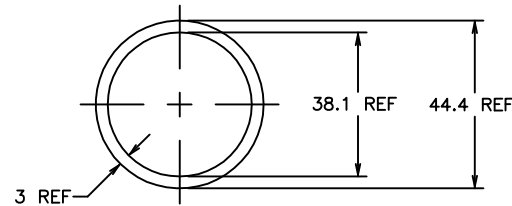
REVISIONS

REV	DESCRIPTION	DATE	APPROVED
B	REDRAWN - SUPERSEDES 1G_FL SHEET 2 REV. A* FOR 1G20FL16	12-13-95	EN-F16139 DP-24900



89.7	3.53
62	2.44
50.8	2.00
44.51±0.06	1.7525±.0025
44.4	1.75
38.1	1.50
20.7	.81
4.19±0.25	.165±.010
3	.12
MM	INCH

CONVERSION



△ O'RING DETAIL

METRIC

1G20FL16	1S20FL16	1G16			
AEROQUIP PART NUMBER	① NIPPLE	② SOCKET			
LIST OF MATERIALS					
ITEM NO.	MATERIAL	DRAWN	R.D.GARRETT		
1	STEEL	CHECKED	M.MOLINA		
2	STEEL	APPROVED	R.D.GARRETT		
		RELEASE DATE	12-18-95		
			EN-F16139 DP-24900		
		THIRD ANGLE PROJECTION	SIZE	DRAWING NUMBER	REV
			C	1G20FL16	B
			SCALE	DIST	CAGE CODE
			1/1	U	01276
					SHEET NO

△ O'RING SHOWN FOR REFERENCE ONLY. SUPPLIED BUT NOT FURNISHED WITH ASSEMBLY.

1. ASSEMBLE SOCKET PER ACES 2813.

DWG. NO. 1G20FL16 SH. B

CONVERTED DRAWING CADAM to AutoCAD 18/98