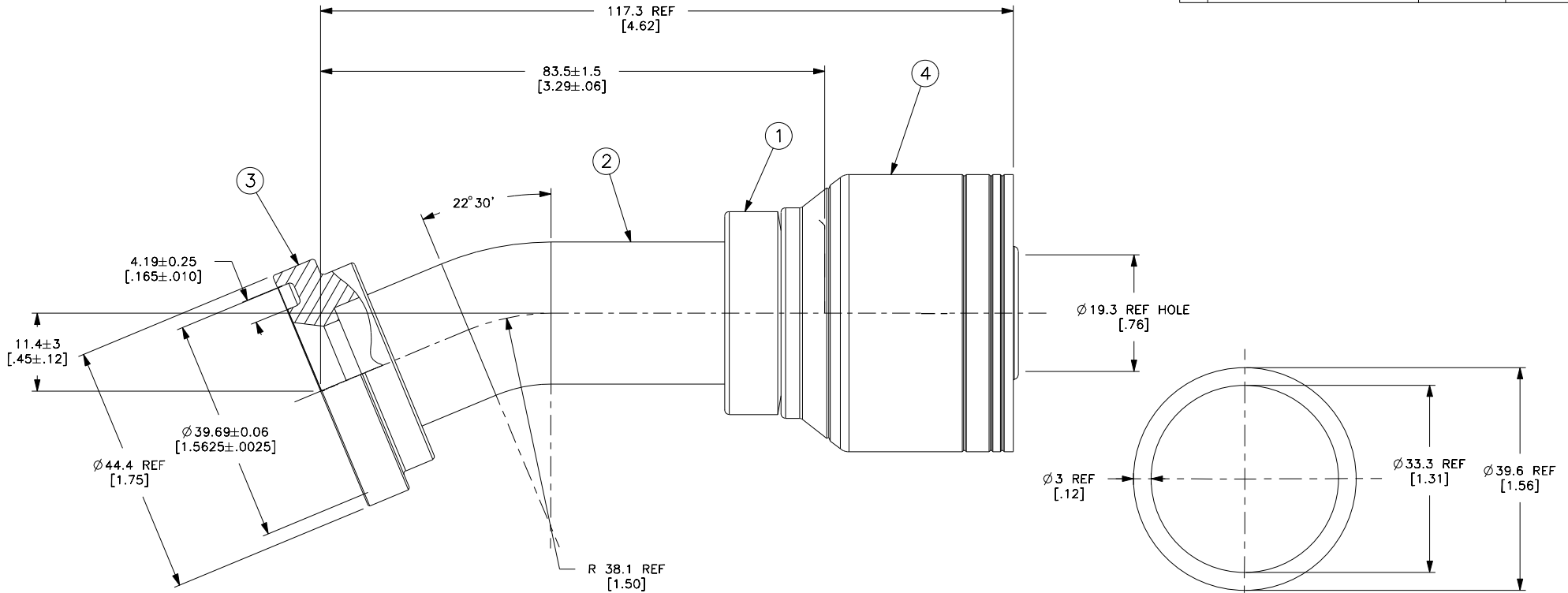


REVISIONS			
REV	DESCRIPTION	DATE	APPROVED
C	REDRAWN ON PRO-E. UPDATED TO LATEST FORMAT AND DIMENSION STYLE. 1) ADDED WEATHERHEAD PART NUMBER. 2) WAS "GH663/GH793 HOSE".	2007-11-02 DDP/ADN	0007765-ECO DP-1693



2 O-RING DETAIL

METRIC

4. DIMENSIONS ARE IN MILLIMETERS [INCHES].
3. 1S16FLD16 NIPPLE ASSEMBLY MAY BE SUBSTITUTED FOR ITEM #1, #2, AND #3.
2. O-RING SHOWN FOR REFERENCE ONLY:
SUPPLIED BUT NOT FURNISHED WITH ASSEMBLY.
1. PROCESS AS FOLLOWS:
 (a) BRAZE PER ACES 2814.
 (NIPPLE ON LONG TANGENT END)
 (b) ZINC PLATE PER ES 2751.
 (c) ASSEMBLE SOCKET PER ACES 2813.

ITEM NO.	MATERIAL	DESCRIPTION
1	STEEL	NIPPLE
2	STEEL	ELBOW
3	STEEL	SHOULDER
4	STEEL	SOCKET

16Z-H03	1A16FLD16	1F40014-1616AB	1F40036-16-01AB	4624-16S	1A16
WEATHERHEAD PART NUMBER	AEROQUIP PART NUMBER	1 NIPPLE	2 ELBOW	3 SHOULDER	4 SOCKET
LIST OF MATERIALS					
DRAWN D. POL		FLUID CONVEYANCE DIVISION			
CHECKED A. NAGARKATTI		DRAWING TITLE			
APPROVED A. NAGARKATTI		22° 30', SPLIT FLANGE TYPE (CODE 61)			
RELEASE DATE 2007-11-02		1 AND 2 WIRE BRAIDED HOSE			
0007765-ECO		SIZE A2	DRAWING NUMBER 1A16FLD16	REV C	
DP-1693		SCALE 2/1	DIST U	PAGE CODE 01276	SHEET 1
THIRD ANGLE PROJECTION					
THE REPRODUCTION, DISTRIBUTION AND UTILIZATION OF THIS DOCUMENT AS WELL AS THE COMMUNICATION OF ITS CONTENTS TO OTHERS WITHOUT EXPLICIT AUTHORIZATION IS PROHIBITED. OFFENDERS WILL BE HELD LIABLE FOR THE PAYMENT OF DAMAGES. ALL RIGHTS RESERVED IN THE EVENT OF THE GRANT OF A PATENT, UTILITY MODEL OR DESIGN. (PER ISO 15016)					

REV. C
SH. 1
1A16FLD16
DWG. NO.