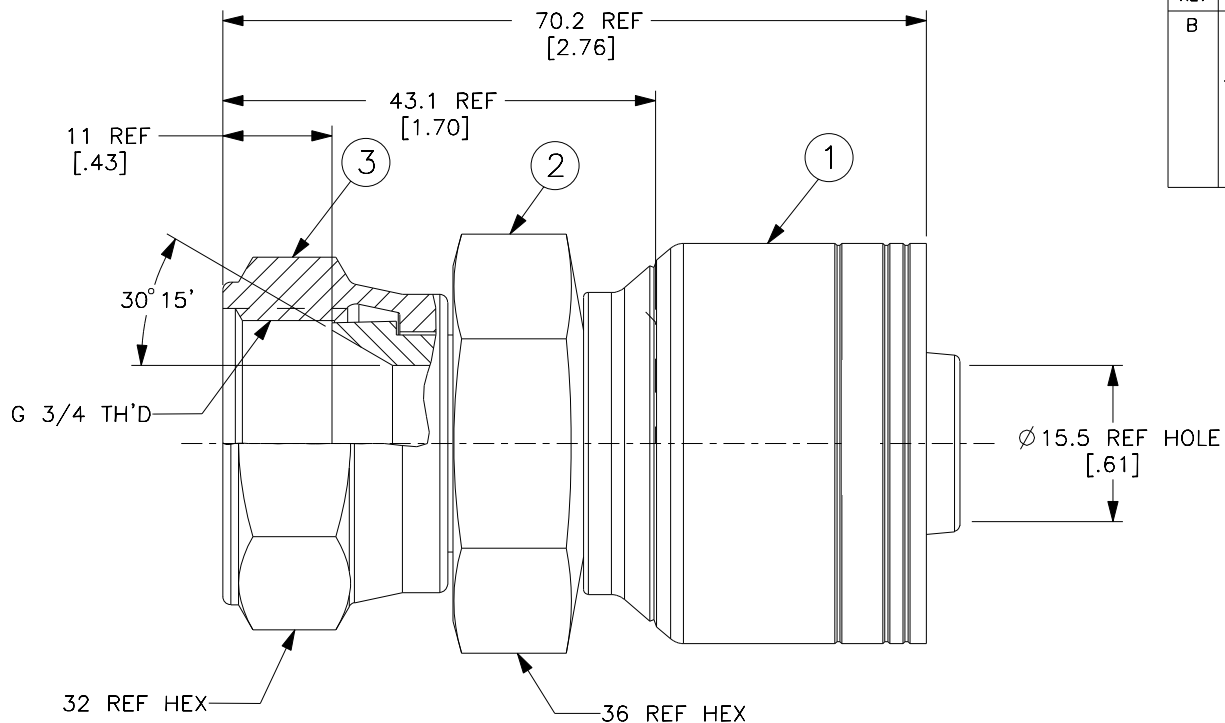


REVISIONS			
REV	DESCRIPTION	DATE	APPROVED
B	REDRAWN ON PRO-E. UPDATED TO LATEST FORMAT AND DIMENSION STYLE. 1) ADDED WEATHERHEAD PART NUMBER. 2) " 1 AND 2 WIRE BRAIDED HOSE" WAS "GH663/GH793 HOSE."	2007-11-02 AAP/ADN	0007767-ECO DP-1693



METRIC

B
1

12Z-12L	1A12JF12	1A12	1F40043M1212-S	SH18306-12
WEATHERHEAD PART NUMBER	AEROQUIP PART NUMBER	① SOCKET	② NIPPLE	③ NUT

LIST OF MATERIALS

ITEM NO.	MATERIAL
1	STEEL
2	STEEL
3	STEEL

DRAWN A. PURANIK CHECKED A. NAGARKATTI APPROVED A. NAGARKATTI RELEASE DATE 2007-11-02 0007767-ECO DP-1693	FLUID CONVEYANCE DIVISION DRAWING TITLE FITTING ASSEMBLY JIS/BSP SWIVEL (FEMALE SEAT) 1 AND 2 WIRE BRAIDED HOSE
THIRD ANGLE PROJECTION SCALE 2/1 DIST U	DRAWING NUMBER 1A12JF12 SHEET 1

- 3. PROCESS AS FOLLOWS:
 (a) CRIMP NUT PER ACES 2813.
 (b) ASSEMBLE SOCKET PER ACES 2813.
- 2. 1S12JF12 NIPPLE ASSEMBLY MAY BE SUBSTITUTED FOR ITEMS #2 AND #3.
- 1. DIMENSIONS ARE IN MILLIMETERS [INCHES].