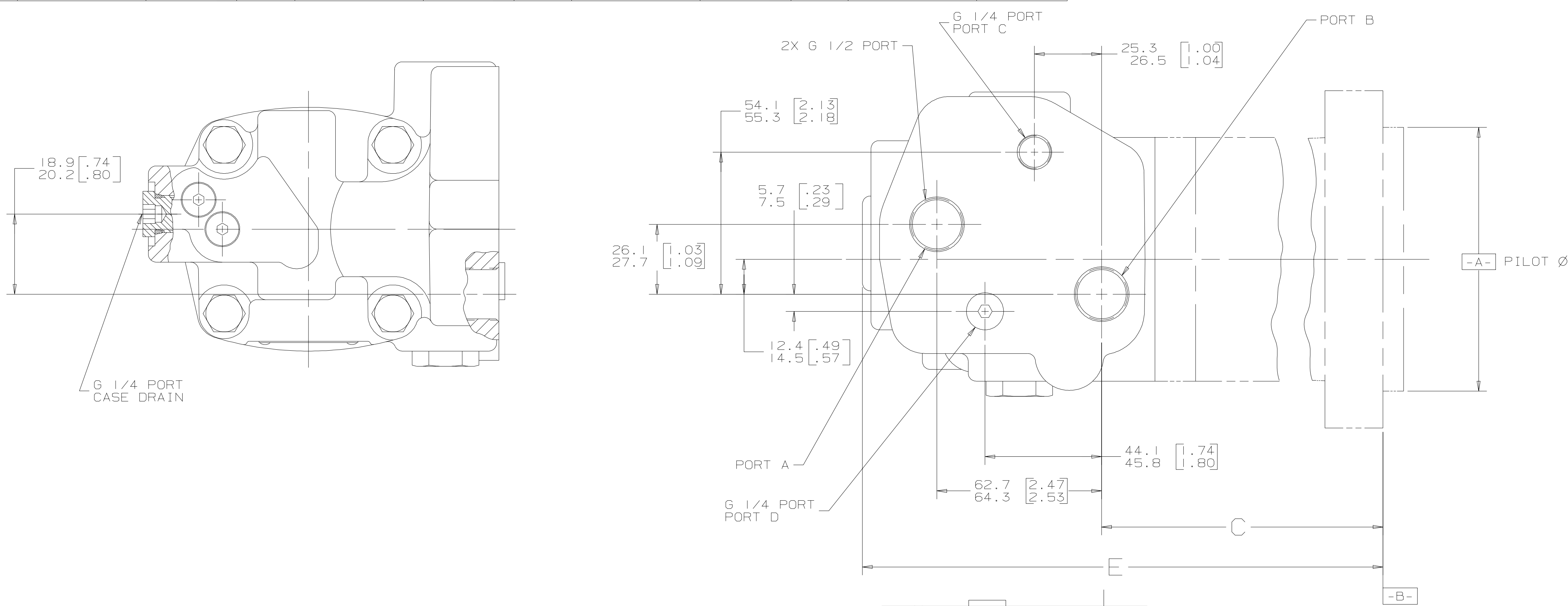


MOUNTING TYPE AC, AH, AU, AF			MOUNTING TYPE AG			MOUNTING TYPE AJ			MOUNTING TYPE AE			MOUNTING TYPE AZ		
DISP	C	E MAX	DISP	C	E MAX	DISP	C	E MAX	DISP	C	E MAX	DISP	C	E MAX
049	136.6-138.2 [5.38-5.44]	231.7 [9.12]	049	124.7-126.3 [4.91-4.97]	219.8 [8.65]	049	140.2-142.3 [5.52-5.60]	235.8 [9.28]	049	78.2-80.3 [3.08-3.16]	173.8 [6.84]	049	91.8-94.0 [3.62-3.70]	187.4 [7.38]
062	141.3-142.9 [5.56-5.63]	236.4 [9.31]	062	129.3-131.0 [5.09-5.16]	224.4 [8.84]	062	144.8-147.0 [5.70-5.79]	240.4 [9.47]	062	82.9-85.0 [3.26-3.35]	178.5 [7.03]	062	96.5-98.6 [3.80-3.88]	192.1 [7.56]
080	147.7-149.3 [5.82-5.88]	242.8 [9.56]	080	135.8-137.4 [5.35-5.41]	230.9 [9.09]	080	151.3-153.4 [5.96-6.04]	246.9 [9.72]	080	89.3-91.4 [3.52-3.60]	184.9 [7.28]	080	102.9-105.0 [4.05-4.14]	198.5 [7.82]
096	147.7-149.3 [5.82-5.88]	242.8 [9.56]	096	135.8-137.4 [5.35-5.41]	230.9 [9.09]	096	151.3-153.4 [5.96-6.04]	246.9 [9.72]	096	89.3-91.4 [3.52-3.60]	184.9 [7.28]	096	102.9-105.0 [4.05-4.14]	198.5 [7.82]
119	154.4-156.1 [6.08-6.14]	249.5 [9.82]	119	142.5-144.1 [5.61-5.67]	237.6 [9.35]	119	158.0-160.1 [6.22-6.30]	253.6 [9.98]	119	96.0-98.1 [3.78-3.86]	191.6 [7.54]	119	109.6-111.8 [4.32-4.40]	205.2 [8.08]
149	163.5-165.1 [6.44-6.50]	258.6 [10.18]	149	151.5-153.2 [5.97-6.03]	246.6 [9.71]	149	167.0-169.2 [6.58-6.66]	262.6 [10.34]	149	105.1-107.2 [4.14-4.22]	200.7 [7.90]	149	118.7-120.8 [4.67-4.76]	214.3 [8.44]
187	174.8-176.5 [6.88-6.95]	270.0 [10.63]	187	162.9-164.5 [6.41-6.48]	258.0 [10.16]	187	178.4-180.5 [7.02-7.11]	274.0 [10.79]	187	116.4-118.6 [4.58-4.67]	212.0 [8.35]	187	130.0-132.2 [5.12-5.20]	225.7 [8.88]
240	190.8-192.4 [7.51-7.57]	285.9 [11.26]	240	178.8-180.5 [7.04-7.10]	273.9 [10.79]	240	194.3-196.5 [7.65-7.73]	289.9 [11.42]	240	132.4-134.5 [5.21-5.30]	228.0 [8.98]	240	146.0-148.1 [5.75-5.83]	241.6 [9.51]
298	208.2-209.8 [8.20-8.26]	303.3 [11.94]	298	196.2-197.9 [7.73-7.79]	291.3 [11.47]	298	211.7-213.9 [8.34-8.42]	307.3 [12.10]	298	149.8-151.9 [5.90-5.98]	245.4 [9.66]	298	163.4-165.5 [6.43-6.52]	259.0 [10.20]

SYM	REVISION	BY	DATE	ECN
A	ENGINEERING RELEASE	RAF	11/23/93	24603
B	REVISED	AGJ	5-15-03	44305
C	REVISED	PRK	6-22-09	M76245
D	REVISED	AAB	3-22-10	M78695

MOUNTING TYPE AB		
DISP	C	E MAX
049	96.5-98.1 [3.80-3.86]	191.6 [7.54]
062	101.1-102.8 [3.98-4.05]	196.2 [7.73]
080	107.6-109.2 [4.24-4.30]	202.7 [7.98]
096	107.6-109.2 [4.24-4.30]	202.7 [7.98]
119	114.3-115.9 [4.50-4.56]	209.4 [8.24]
149	123.3-125.0 [4.86-4.92]	218.4 [8.60]
187	134.7-136.3 [5.30-5.37]	229.8 [9.05]
240	150.6-152.3 [5.93-5.99]	245.7 [9.68]
298	168.0-169.7 [6.62-6.68]	263.1 [10.36]



NOTE

- 1 PORT TYPE: AB
- 2 CASE FLOW OPTIONS/SELECTOR VALVE: 02
- 3 NORMALLY LOW SPEED MOTOR:
 PORT C DEPRESSURIZED AND PORT D DEPRESSURIZED, LOW SPEED, HIGH TORQUE
 PORT C PRESSURIZED AND PORT D DEPRESSURIZED AT 6.9 bar [100 lbf/in²]
 MINIMUM PRESSURE DIFFERENCE, HIGH SPEED, LOW TORQUE
 PORT D IS CONNECTED INTERNALLY TO THE CASE AND NEED NOT BE DRAINED EXTERNALLY AT PORT D

UNBIASED MOTOR:
 PORT D PRESSURIZED AND PORT C DEPRESSURIZED, LOW SPEED, HIGH TORQUE
 PORT C PRESSURIZED AND PORT D DEPRESSURIZED, HIGH SPEED, LOW TORQUE

NORMALLY HIGH SPEED MOTOR:
 PORT D DEPRESSURIZED AND PORT C DEPRESSURIZED, HIGH SPEED, LOW TORQUE
 PORT D PRESSURIZED AND PORT C DEPRESSURIZED AT 6.9 bar [100 lbf/in²]
 MINIMUM PRESSURE DIFFERENCE, LOW SPEED HIGH TORQUE
 PORT C MUST BE DRAINED TO TANK EXTERNALLY FOR PROPER OPERATION

REVIEWED FOR CLASSIFICATION PER ESP-042

UNLESS OTHERWISE SPECIFIED ALL DIMENSIONS ARE IN		DRAWING BASED ON ANSI Y14.5M-1982	
INCHES <input type="checkbox"/>	MILLIMETERS <input checked="" type="checkbox"/>	THE REPRODUCTION, DISTRIBUTION, AND UTILIZATION OF THIS DOCUMENT, AS WELL AS THE COMMUNICATION OF ITS CONTENTS TO OTHERS WITHOUT EXPLICIT AUTHORIZATION IS PROHIBITED. OFFENDERS WILL BE HELD LIABLE FOR THE PAYMENT OF DAMAGES. ALL RIGHTS RESERVED IN THE EVENT OF THE GRANT OF A PATENT, UTILITY MODEL, OR DESIGN. (PER ISO 16016)	
TOLERANCES			
.XX +REF	DRN: BY/DATE RAF 8/12/93	MATERIAL/HEAT TREAT	
.XXX +ONLY	CHEKED BY/DATE	TITLE	
UNSPECIFIED RADI ARE	ENGR: BY/DATE	2000 SERIES - TWO SPEED MOTOR PORT INSTALLATION	
UNSPECIFIED DRAFT ANGLES ARE	METALLURGY BY/DATE	NUMBER	
D SIZE	THIRD ANGLE PROJECTION	A-673-015	
	DO NOT SCALE	SCALE 1/1 SHEET 1 OF 1	