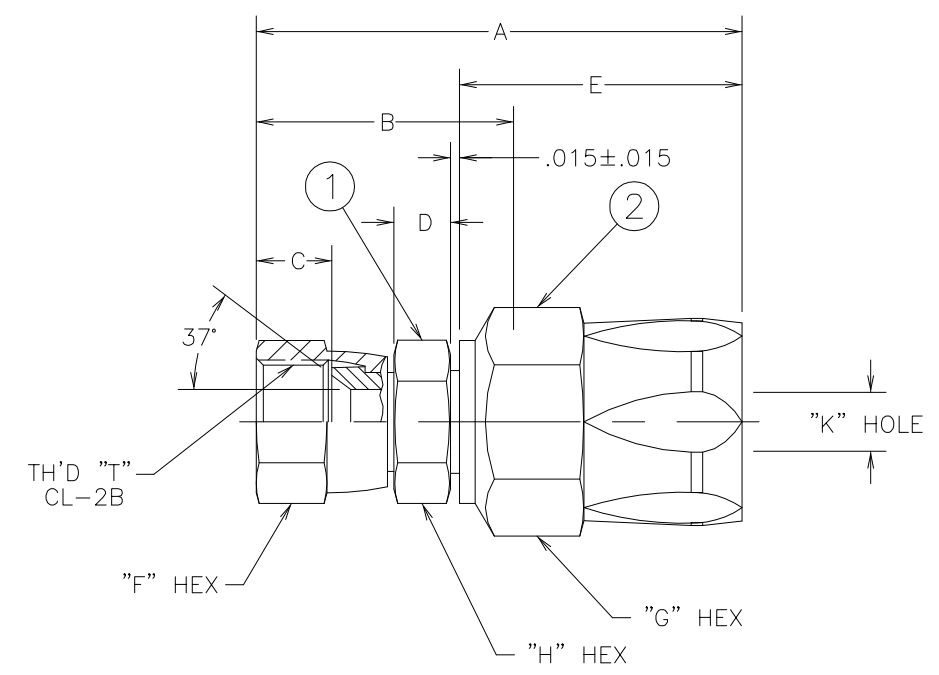


PART NUMBER	TH'D "T"	A REF	B REF	C REF	D REF	E REF	F REF	G REF	H REF	K REF
190800-4S	7/16-20	2.08	1.14	.37	.25	1.14	.56	.75	.56	.17
190800-5-4S	1/2-20	2.13	1.19	.40	.25	1.14	.62	.75	.62	.19
190800-6S	9/16-18	2.31	1.31	.40	.28	1.25	.69	.88	.69	.30

REVISIONS			
REV.	DESCRIPTION	DATE	APPROVED
D	REDRAWN ON CAD—LAST REV. "C"	3-30-92	EN-F12914 ER-F12914



190800-6S	185800-6S	1214-6S
190800-5-4S	185800-5-4S	1214-4S
190800-4S	185800-4S	1214-4S
AEROQUIP PART NUMBER	① NIPPLE ASSEMBLY	② SOCKET

LIST OF MATERIALS

ITEM NO.	MATERIAL	DRAWN R.D.GARRETT	DATE 3-30-92	FLUID CONVEYANCE DIVISION DRAWING TITLE FITTING ASSEMBLY SAE 37° SWIVEL, 2555 HOSE
1	STEEL	CHECKED R.D.GARRETT	DATE 3-30-92	
2	STEEL	APPROVED R.D.GARRETT	DATE 3-30-92	
		RELEASED EN-F12914	DATE 3-30-92	SIZE (CAGE) CODE NO. DRAWING NUMBER C 01276 190800
		PROJECT NO. ER-F12914	APC NO.	
		DESIGN APPROVED		SHEET
		APPROVED		U

THE REPRODUCTION, DISTRIBUTION AND UTILIZATION OF THIS DOCUMENT AS WELL AS THE COMMUNICATION OF ITS CONTENTS TO OTHER WITHOUT EXPLICIT AUTHORIZATION IS PROHIBITED. OFFENDERS WILL BE HELD LIABLE FOR THE PAYMENT OF DAMAGES. ALL RIGHT RESERVED IN THE EVENT OF THE GRANT OF A PATENT, UTILITY MODEL OR DESIGN. (PER ISO 16016)

CONVERTED DRAWING CADAM to AutoCAD 9/98

DWG. NO. 190800 SH. REV. D