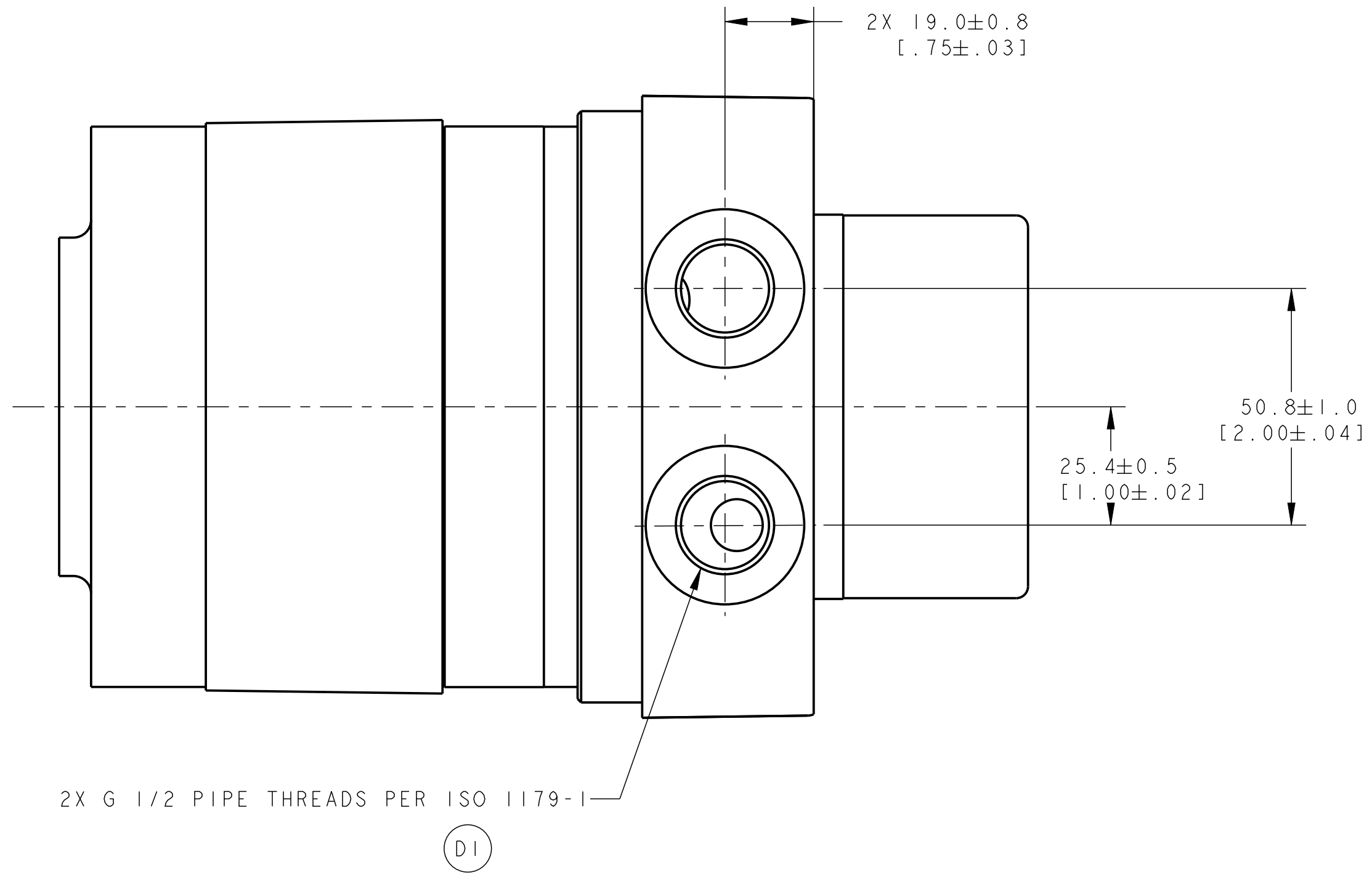


REV	DESCRIPTION	BY	CHK	DATE	ECN / MPS
A	ENGINEERING RELEASE	NHB		01-08-08	M71948
B	ADDED MOUNTING TYPE "AD" TO NOTE	CSG	SVG	10/30/08	M74459
C	ADDED MOUNTING TYPE "AH" TO NOTE	SJT	AMK	12-11-18	MI09358
D	-1)(3B)WAS ISO 228 -2)REMOVED NOTE 1	VVH		02-14-22	PAIK5KE3M7



NOTE:
1
2 PORT OPTION : AC

-
DISTRIBUTION CODE(S)

THE REPRODUCTION, DISTRIBUTION, AND UTILIZATION OF THIS DOCUMENT, AS WELL AS THE COMMUNICATION OF ITS CONTENTS TO OTHERS WITHOUT EXPLICIT AUTHORIZATION IS PROHIBITED. OFFENDERS WILL BE HELD LIABLE FOR THE PAYMENT OF DAMAGES. ALL RIGHTS RESERVED IN THE EVENT OF THE GRANT OF A PATENT, UTILITY MODEL, OR DESIGN. (PER ISO 16016)

UNLESS OTHERWISE SPECIFIED ALL DIMENSIONS ARE IN INCHES <input type="checkbox"/> MILLIMETERS (INCHES) <input checked="" type="checkbox"/>	DRAWING BASED ON ANSI Y14.5M-1982	
	THE REPRODUCTION, DISTRIBUTION, AND UTILIZATION OF THIS DOCUMENT, AS WELL AS THE COMMUNICATION OF ITS CONTENTS TO OTHERS WITHOUT EXPLICIT AUTHORIZATION IS PROHIBITED. OFFENDERS WILL BE HELD LIABLE FOR THE PAYMENT OF DAMAGES. ALL RIGHTS RESERVED IN THE EVENT OF THE GRANT OF A PATENT, UTILITY MODEL, OR DESIGN. (PER ISO 16016)	
TOLERANCES .X ± 0.1 .XX ± 0.01 .XXX ± 0.001 ∠ ± 0.5°	DRAWN NHB BY/DATE 01-23-08	MATERIAL/HEAT TREAT -
UNSPECIFIED RADII ARE: -	CHECKED NHB BY/DATE 01-23-08	TITLE DELTA MOTOR PORT INSTALLATION
UNSPECIFIED DRAFT ANGLES ARE: °	ENGRG SHJ BY/DATE 01-23-08	METALLURGY BY/DATE -
C SIZE	THIRD ANGLE PROJECTION	NUMBER A-2825-003
	DO NOT SCALE	SCALE 1/1 SHEET 1 OF 1

