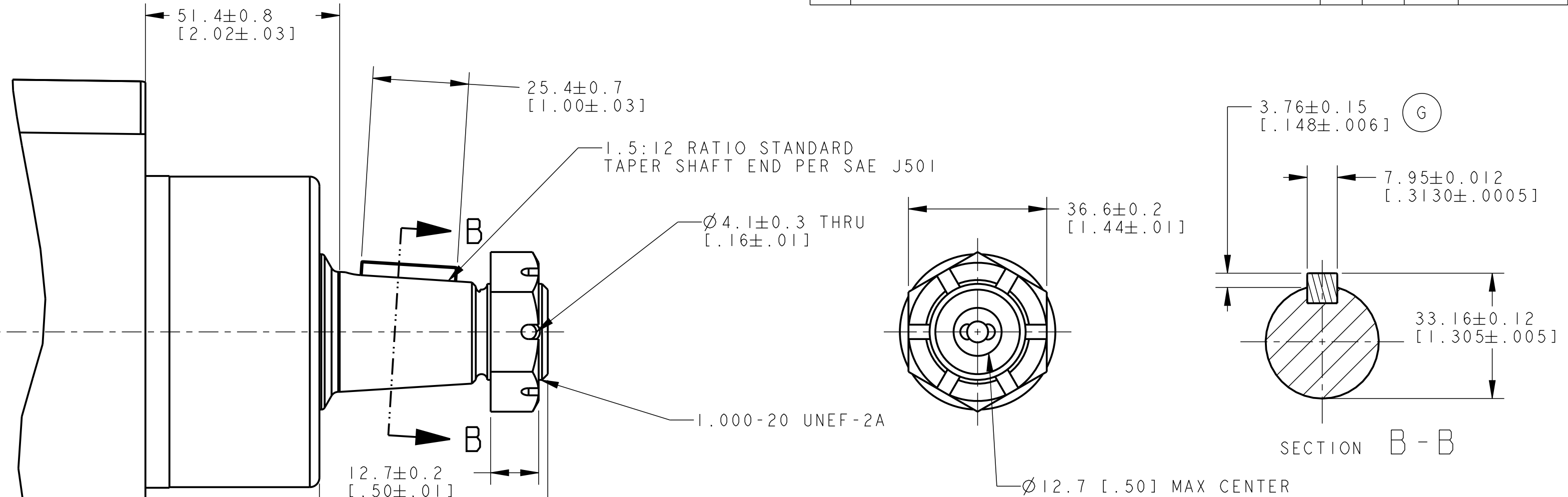


REV	DESCRIPTION	BY	CHK	DATE	ECN / MPS
A	RELEASE FOR SAMPLES AND ESTIMATES	PM		03/09/06	X-54953
F	-1)DRAWING REVISED FOR STACK-UP -2)REVISED SECTION B-B -3)ADDED MOUNTINGTYPE AF TO NOTE 1	YUP	YUP	01/19/16	M98843A
G	ADDED .148±.006	SMK	PJ	09/14/17	0083558



NOTE:
 1 MOUNTING TYPE : AA, AE, AF
 2 OUTPUT SHAFT : 02, 24

C/S REVIEWED FOR CLASSIFICATION PER ESP-042

UNLESS OTHERWISE SPECIFIED ALL DIMENSIONS ARE IN INCHES <input checked="" type="checkbox"/> MILLIMETERS (INCHES) <input type="checkbox"/>		DRAWING BASED ON ASME Y14.5-2009	
TOLERANCES .X ± 0.1 .XX ± 0.01 .XXX ± 0.001 < ± 0.5°		EATON CORPORATION - CONFIDENTIAL AND PROPRIETARY NOTICE TO PERSONS RECEIVING THIS DRAWING AND / OR TECHNICAL INFORMATION THIS DOCUMENT, INCLUDING THE DRAWING AND INFORMATION CONTAINED THEREON, IS CONFIDENTIAL AND IS THE EXCLUSIVE PROPERTY OF EATON CORPORATION, AND IS MERELY ON LOAN AND SUBJECT TO RECALL BY EATON AT ANY TIME. BY TAKING POSSESSION OF THIS DOCUMENT, THE RECIPIENT ACKNOWLEDGES AND AGREES THAT THIS DOCUMENT CANNOT BE USED IN ANY MANNER ADVERSE TO THE INTERESTS OF EATON, AND THAT NO PORTION OF THIS DOCUMENT MAY BE COPIED OR OTHERWISE REPRODUCED WITHOUT THE PRIOR WRITTEN CONSENT OF EATON. IN THE CASE OF CONFLICTING CONTRACTUAL PROVISIONS, THIS NOTICE SHALL GOVERN THE STATUS OF THIS DOCUMENT. COPYRIGHT 2008 EATON CORPORATION - ALL RIGHTS RESERVED.	
UNSPECIFIED RADII ARE: ---		DRAWN PM BY/DATE 03/14/2006 CHECKED SMM BY/DATE 03/14/2006 ENGRG TIM BY/DATE 03/14/2006 METALLURGY --- BY/DATE ---	MATERIAL/HEAT TREAT - TITLE DELTA MOTOR SHAFT INSTALLATION
UNSPECIFIED DRAFT ANGLES ARE: ---		<input checked="" type="checkbox"/> MICROINCHES <input type="checkbox"/> MICROMETERS (MICROINCHES) THIRD ANGLE PROJECTION DO NOT SCALE	NUMBER A-2824-002 SCALE 1/1 SHEET 1 OF 1

