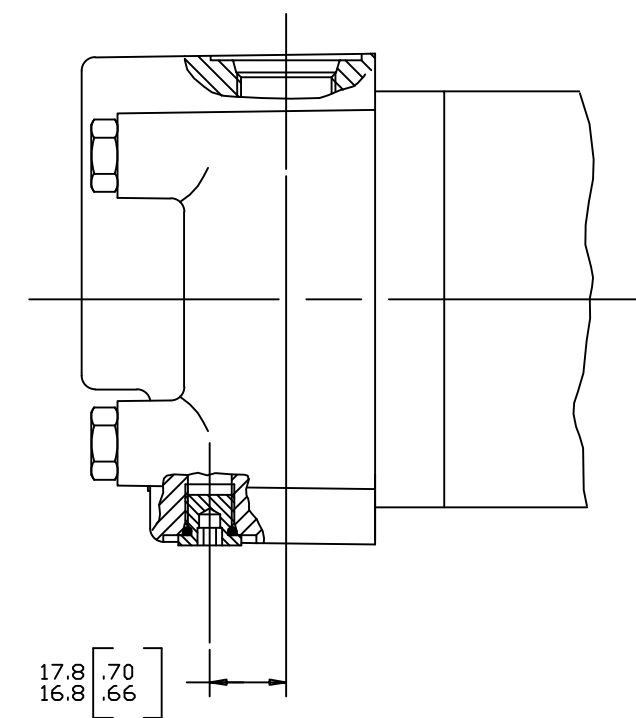
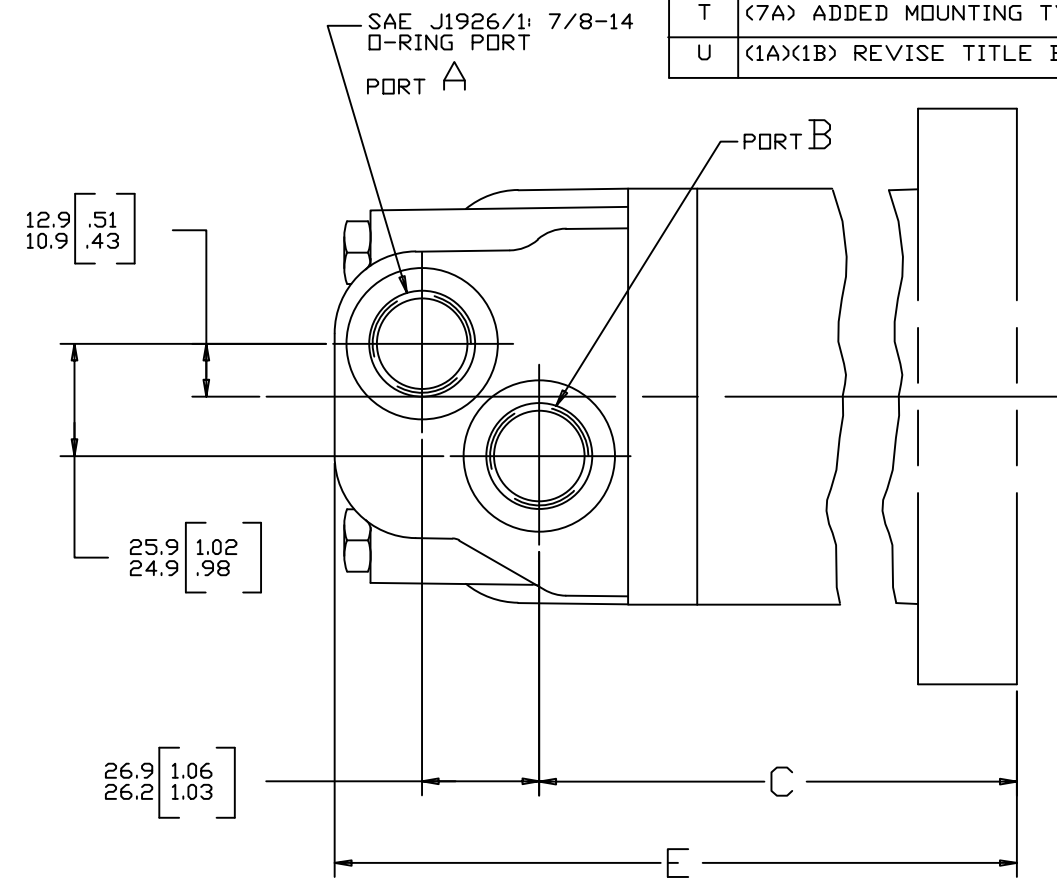
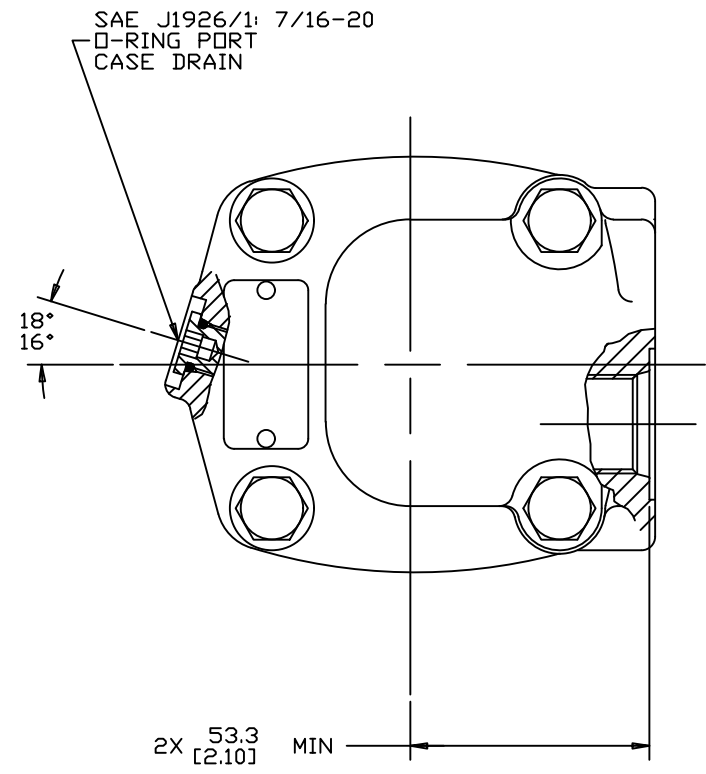


8			7			6			5			4			3			2			1		
MOUNTING TYPE AB,AM,AP,BC & BK			MOUNTING TYPE AC & AH			MOUNTING TYPE AE			MOUNTING TYPE AG			MOUNTING TYPE AF			REV	DESCRIPTION			BY	CHK	DATE	ECN	
DISP	C	E MAX	DISP	C	E MAX	DISP	C	E MAX	DISP	C	E MAX	DISP	C	E MAX									
10	113.8-115.3 (4.48-4.54)	162.0 (6.38)	10	154.2-155.4 (6.07-6.12)	201.9 (7.95)	10	99.5-97.5 (3.76-3.84)	144.3 (5.68)	10	141.7-143.8 (5.58-5.66)	190.0 (7.48)	10	154.2-155.2 (6.07-6.11)	201.9 (7.95)	A	ENGINEERING RELEASE			AGJ		7-29-98	M20136	
12	122.9-124.5 (4.84-4.90)	171.0 (6.73)	12	163.1-164.6 (6.42-6.48)	211.1 (8.31)	12	104.6-106.9 (4.12-4.21)	153.4 (6.04)	12	151.1-152.7 (5.95-6.01)	199.1 (7.84)	12	163.3-164.3 (6.43-6.47)	211.1 (8.31)	B	REVISED			GCB		3-24-99	32668	
15	134.4-135.6 (5.29-5.34)	182.4 (7.18)	15	174.5-175.8 (6.87-6.92)	222.5 (8.76)	15	116.1-118.1 (4.57-4.65)	164.8 (6.49)	15	162.3-163.8 (6.39-6.45)	210.6 (8.29)	15	174.5-175.8 (6.87-6.92)	221.4 (8.72)	C	-1X(1B)NOTE 1 PORT OPTION 'AA' WAS 'A, E OR L -2XREVISED MOUNTING TYPE CODES IN TABS			RAF		12-18-98	M20963	
20	150.4-151.6 (5.92-5.97)	198.4 (7.81)	20	190.5-191.8 (7.50-7.55)	238.5 (9.39)	20	132.1-134.1 (5.20-5.28)	180.8 (7.12)	20	178.3-179.8 (7.02-7.08)	226.6 (8.92)	20	190.5-191.8 (7.50-7.55)	238.3 (9.38)	D	REVISED TABULATION BLOCKS			AGJ		10-7-99	33357	
24	150.4-151.6 (5.92-5.97)	198.4 (7.81)	24	190.5-191.8 (7.50-7.55)	238.5 (9.39)	24	132.1-134.1 (5.20-5.28)	180.8 (7.12)	24	178.3-179.8 (7.02-7.08)	226.6 (8.92)	24	190.5-191.8 (7.50-7.55)	238.3 (9.38)	E	(6D) ADDED MOUNTING TYPE AH			SMM		03-01-01	M25088	
25	167.6-169.2 (6.60-6.66)	215.7 (8.49)	25	207.8-209.3 (8.18-8.23)	255.8 (10.07)	25	149.4-151.6 (5.88-5.97)	198.1 (7.80)	25	195.7-197.3 (7.71-7.77)	243.8 (9.60)	25	208.0-209.0 (8.19-8.23)	255.8 (10.07)	F	-1X(7D)REVISED MOUNTING TYPE 'AC' & 'AH' TAB BLOCK -2X(4D)ADDED MOUNTING TYPE 'AF' TO TAB BLOCK			MLL		10-9-01	M26445	
30	167.6-169.2 (6.60-6.66)	215.7 (8.49)	30	207.8-209.3 (8.18-8.23)	255.8 (10.07)	30	149.4-151.6 (5.88-5.97)	198.1 (7.80)	30	195.7-197.3 (7.71-7.77)	243.8 (9.60)	30	208.0-209.0 (8.19-8.23)	255.8 (10.07)	G	(8D) ADDED MOUNTING TYPE BC			AGJ		2-10-03	43466	
17	140.3-141.8 (5.52-5.59)	188.4 (7.42)	17	180.4-182.0 (7.10-7.17)	228.6 (9.00)	17	122.0-124.3 (4.80-4.90)	170.9 (6.73)	17	168.5-170.0 (6.63-6.70)	216.7 (8.53)	17	180.5-181.8 (7.11-7.16)	228.3 (8.99)	H	ENGINEERING RELEASE '25' DISPLACEMENT TO ALL TABS			MGF		3-14-03	43518	
MOUNTING TYPE AJ			MOUNTING TYPE BE												J	(8D) ADDED MOUNTING TYPE BE			AGJ		04/07/04	M61235A	
DISP	C	E MAX	DISP	C	E MAX										K	(8D)REVISED TAB BLOCK FOR MOUNTING TYPE BE			AGJ		4-27-04	47794	
10	157.5-159.5 (6.20-6.28)	206.0 (8.11)	10	93.0-94.2 (3.66-3.71)	141.0 (5.55)										L	(8B) ADDED MOUNTING TYPE BB			SRK		7-14-04	M62267	
12	166.6-168.7 (6.56-6.64)	215.1 (8.47)	12	102.1-103.4 (4.02-4.07)	150.1 (5.91)										M	(7B) ADDED MOUNTING TYPE BG			AGJ		12-2-04	50095	
15	178.1-179.8 (7.01-7.08)	226.6 (8.92)	15	113.5-114.8 (4.47-4.52)	161.5 (6.36)										N	(8B) ADDED MOUNTING TYPE BJ			SKS		8-24-06	M68036	
20	194.0-195.8 (7.64-7.71)	242.6 (9.55)	20	129.5-130.8 (5.10-5.15)	177.5 (6.99)										P	REVISED			SVG		6-26-09	M76034	
24	194.1-195.8 (7.64-7.71)	242.6 (9.55)	24	129.5-130.8 (5.10-5.15)	177.5 (6.99)										R	DISPLACEMENT '20' WAS '19' (10 PLACES)			SMT	KKS	10-13-09	19794	
25	211.3-213.4 (8.32-8.40)	259.8 (10.23)	25	146.8-148.1 (5.78-5.83)	194.8 (7.67)										S	-1X(8D) ADDED MOUNTING TYPE BK -2X(6C) 18°/16° WAS 17°±1° -3X(4C)25.9/24.9 (1.02/.98) WAS 24.9/25.9 (.98/1.02)			CSG	HRK	02-03-10	M78269	
30	211.3-213.4 (8.32-8.40)	259.8 (10.23)	30	146.8-148.1 (5.78-5.83)	194.8 (7.67)										T	(7A) ADDED MOUNTING TYPE 'BL'			SMT		03-07-11	M81472	
17	184.0-186.0 (7.24-7.33)	232.6 (9.16)	17	119.4-120.7 (4.70-4.76)	167.3 (6.59)										U	(1A)(1B) REVISE TITLE BLOCK			SSP	VVH	02-24-23	0139446	
MOUNTING TYPE BB			MOUNTING TYPE BG																				
DISP	C	E MAX	DISP	C	E MAX																		
10	163.8-165.4 (6.45-6.51)	211.8 (8.34)	10	127.5-128.8 (5.02-5.07)	175.5 (6.91)																		
12	172.7-174.2 (6.80-6.86)	221.0 (8.70)	12	136.6-137.9 (5.38-5.43)	184.6 (7.27)																		
15	184.2-185.7 (7.25-7.31)	241.0 (9.49)	15	148.1-149.4 (5.83-5.88)	196.1 (7.72)																		
20	200.2-201.7 (7.88-7.94)	248.2 (9.77)	20	164.1-165.4 (6.46-6.51)	212.1 (8.35)																		
24	200.2-201.7 (7.88-7.94)	248.2 (9.77)	24	164.1-165.4 (6.46-6.51)	212.1 (8.35)																		
25	217.4-218.9 (8.56-8.62)	265.7 (10.46)	25	181.4-182.6 (7.14-7.19)	229.4 (9.03)																		
30	217.4-218.9 (8.56-8.62)	265.7 (10.46)	30	181.4-182.6 (7.14-7.19)	229.4 (9.03)																		
17	190.1-191.8 (7.49-7.55)	238.5 (9.39)	17	154.0-155.3 (6.06-6.12)	201.9 (7.95)																		
MOUNTING TYPE BJ			MOUNTING TYPE BL																				
DISP	C	E MAX	DISP	C	E MAX																		
10	153.7-155.7 (6.05-6.13)	202.2 (7.96)	10	167.3-170.2 (6.59-6.70)	216.1 (8.51)																		
12	162.8-164.8 (6.41-6.49)	211.3 (8.32)	12	176.3-179.2 (6.94-7.06)	225.2 (8.87)																		
15	174.3-176.0 (6.86-6.93)	222.8 (8.77)	15	187.7-190.6 (7.39-7.50)	236.6 (9.31)																		
20	190.2-192.0 (7.49-7.56)	238.8 (9.40)	20	203.6-206.5 (8.02-8.13)	252.5 (9.94)																		
24	190.2-192.0 (7.49-7.56)	238.8 (9.40)	24	203.6-206.5 (8.02-8.13)	252.5 (9.94)																		
25	207.5-209.6 (8.17-8.25)	256.0 (10.08)	25	221.0-223.9 (8.70-8.82)	269.9 (10.63)																		
30	207.5-209.6 (8.17-8.25)	256.0 (10.08)	30	221.0-223.9 (8.70-8.82)	269.9 (10.63)																		
17	180.2-182.2 (7.09-7.18)	228.8 (9.01)	17	193.8-196.6 (7.63-7.74)	242.6 (9.55)																		



NOTE
1 PORT OPTION AA

REVIEWED FOR CLASSIFICATION PER ESP-042

DRAWING BASED ON ANSI Y14.5M-1982

UNLESS OTHERWISE SPECIFIED ALL DIMENSIONS ARE IN
 INCHES
 MILLIMETERS

TOLERANCES
 X ± ----
 XX ± REF
 XXX ± ONLY

UNSPECIFIED DRAFT ANGLES ARE

DRAWING FORMAT
 CAD MANUAL

BRN BY/DATE AGJ 8-31-98
 CHK BY/DATE RAF 8-31-98
 ENGR BY/DATE TRF 8-31-98
 METALLURGY BY/DATE ----

THIRD ANGLE PROJECTION

DD NDT SCALE

MATERIAL/HEAT TREAT

TITLE
 4000 COMPACT SERIES MOTOR
 PORT INSTALLATION

NUMBER
 A-1331-001

SCALE 1/1 SHEET 1 OF 1