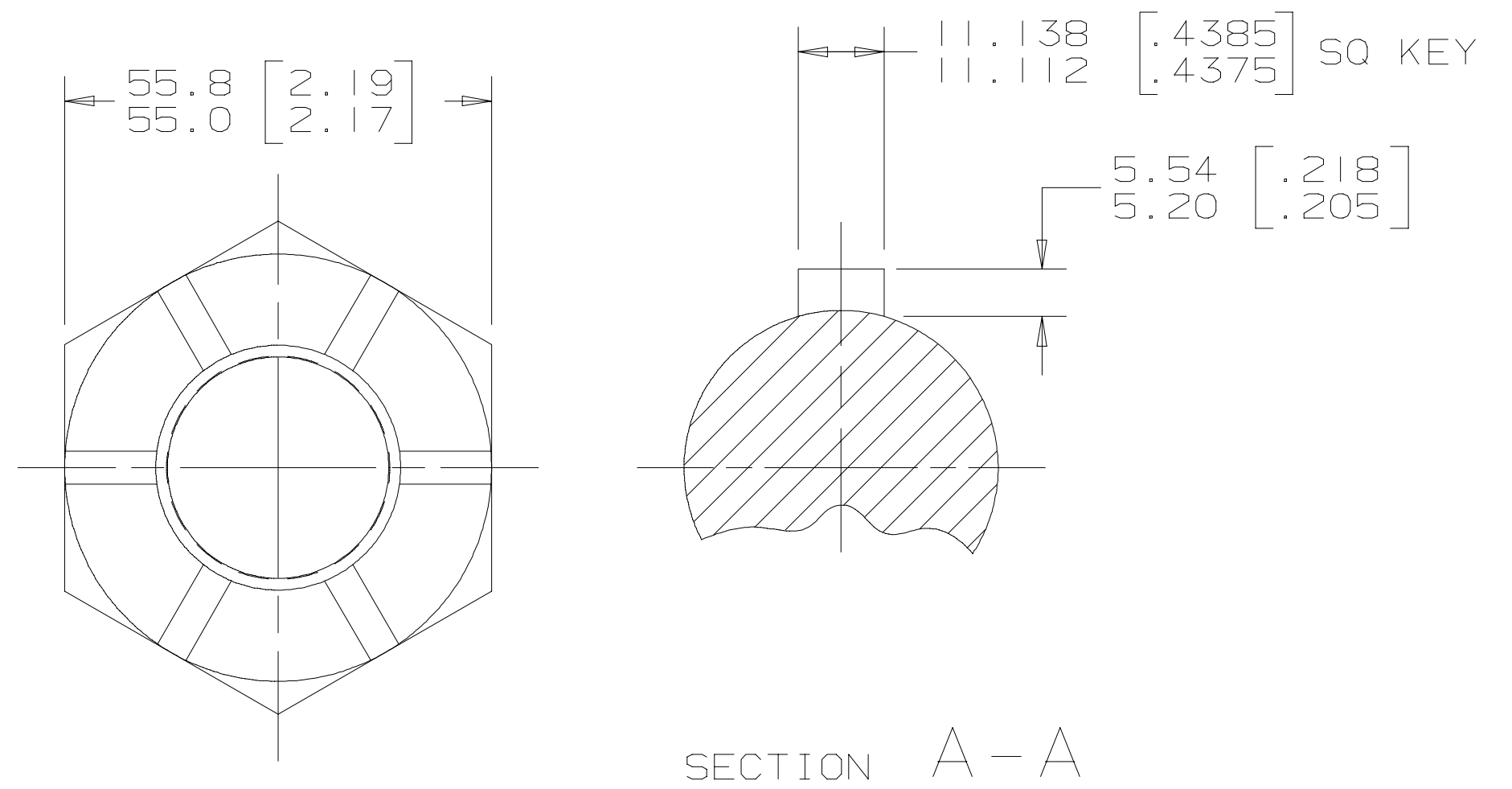
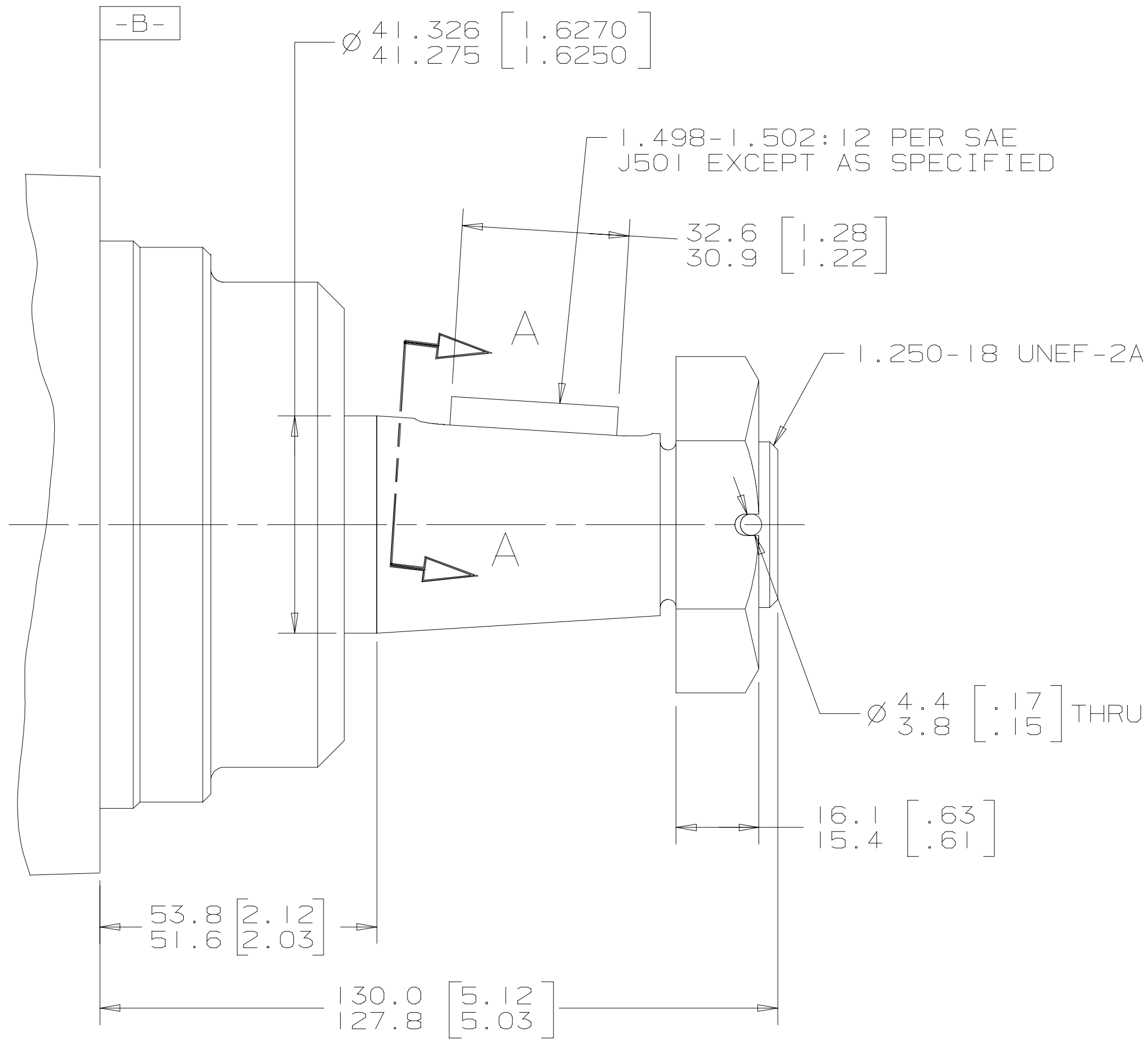


REV	DESCRIPTION	BY	CHK	DATE	ECN
A	ENGINEERING RELEASE	RAF		1-17-00	35767



G K S

NOTE

- 1 MOUNTING TYPE: OPTION AB OR AM
- 2 OUTPUT SHAFT: OPTION 98

UNLESS OTHERWISE SPECIFIED ALL DIMENSIONS ARE IN		DRAWING BASED ON ANSI Y14.5M-1982																					
INCHES <input type="checkbox"/>	MILLIMETERS [INCHES] <input checked="" type="checkbox"/>	THE REPRODUCTION, DISTRIBUTION, AND UTILIZATION OF THIS DOCUMENT, AS WELL AS THE COMMUNICATION OF ITS CONTENTS TO OTHERS WITHOUT EXPLICIT AUTHORIZATION IS PROHIBITED. OFFENDERS WILL BE HELD LIABLE FOR THE PAYMENT OF DAMAGES. ALL RIGHTS RESERVED IN THE EVENT OF THE GRANT OF A PATENT, UTILITY MODEL, OR DESIGN. (PER ISO 16016)																					
TOLERANCES		<table border="1"> <tr> <td>DRAWN BY/DATE</td> <td>RAF 2-8-00</td> <td>MATERIAL/HEAT TREAT</td> <td></td> </tr> <tr> <td>CHECKED BY/DATE</td> <td>AGJ 2-9-00</td> <td>TITLE</td> <td>4000 COMPACT SERIES MOTOR SHAFT INSTALLATION</td> </tr> <tr> <td>ENGRG BY/DATE</td> <td>TRF 2-9-00</td> <td>NUMBER</td> <td>A-1330-017</td> </tr> <tr> <td>METALLURGY BY/DATE</td> <td>-----</td> <td>SCALE</td> <td>1/1</td> </tr> <tr> <td></td> <td></td> <td>SHEET</td> <td>1 OF 1</td> </tr> </table>		DRAWN BY/DATE	RAF 2-8-00	MATERIAL/HEAT TREAT		CHECKED BY/DATE	AGJ 2-9-00	TITLE	4000 COMPACT SERIES MOTOR SHAFT INSTALLATION	ENGRG BY/DATE	TRF 2-9-00	NUMBER	A-1330-017	METALLURGY BY/DATE	-----	SCALE	1/1			SHEET	1 OF 1
DRAWN BY/DATE	RAF 2-8-00	MATERIAL/HEAT TREAT																					
CHECKED BY/DATE	AGJ 2-9-00	TITLE	4000 COMPACT SERIES MOTOR SHAFT INSTALLATION																				
ENGRG BY/DATE	TRF 2-9-00	NUMBER	A-1330-017																				
METALLURGY BY/DATE	-----	SCALE	1/1																				
		SHEET	1 OF 1																				
.X ±----		<table border="1"> <tr> <td>MICROINCHES <input type="checkbox"/></td> <td>MICROMETERS [MICROINCHES] <input type="checkbox"/></td> </tr> <tr> <td colspan="2">ARITHMETICAL AVERAGE <input checked="" type="checkbox"/></td> </tr> </table>		MICROINCHES <input type="checkbox"/>	MICROMETERS [MICROINCHES] <input type="checkbox"/>	ARITHMETICAL AVERAGE <input checked="" type="checkbox"/>																	
MICROINCHES <input type="checkbox"/>	MICROMETERS [MICROINCHES] <input type="checkbox"/>																						
ARITHMETICAL AVERAGE <input checked="" type="checkbox"/>																							
.XX ±----																							
.XXX ±----																							
∠ ±----																							
UNSPECIFIED RADII ARE	----	<table border="1"> <tr> <td>THIRD ANGLE PROJECTION</td> <td>DO NOT SCALE</td> </tr> </table>		THIRD ANGLE PROJECTION	DO NOT SCALE																		
THIRD ANGLE PROJECTION	DO NOT SCALE																						
UNSPECIFIED DRAFT ANGLES ARE	----																						
DRAWING FORMAT	CADD <input checked="" type="checkbox"/> MANUAL <input type="checkbox"/>																						

