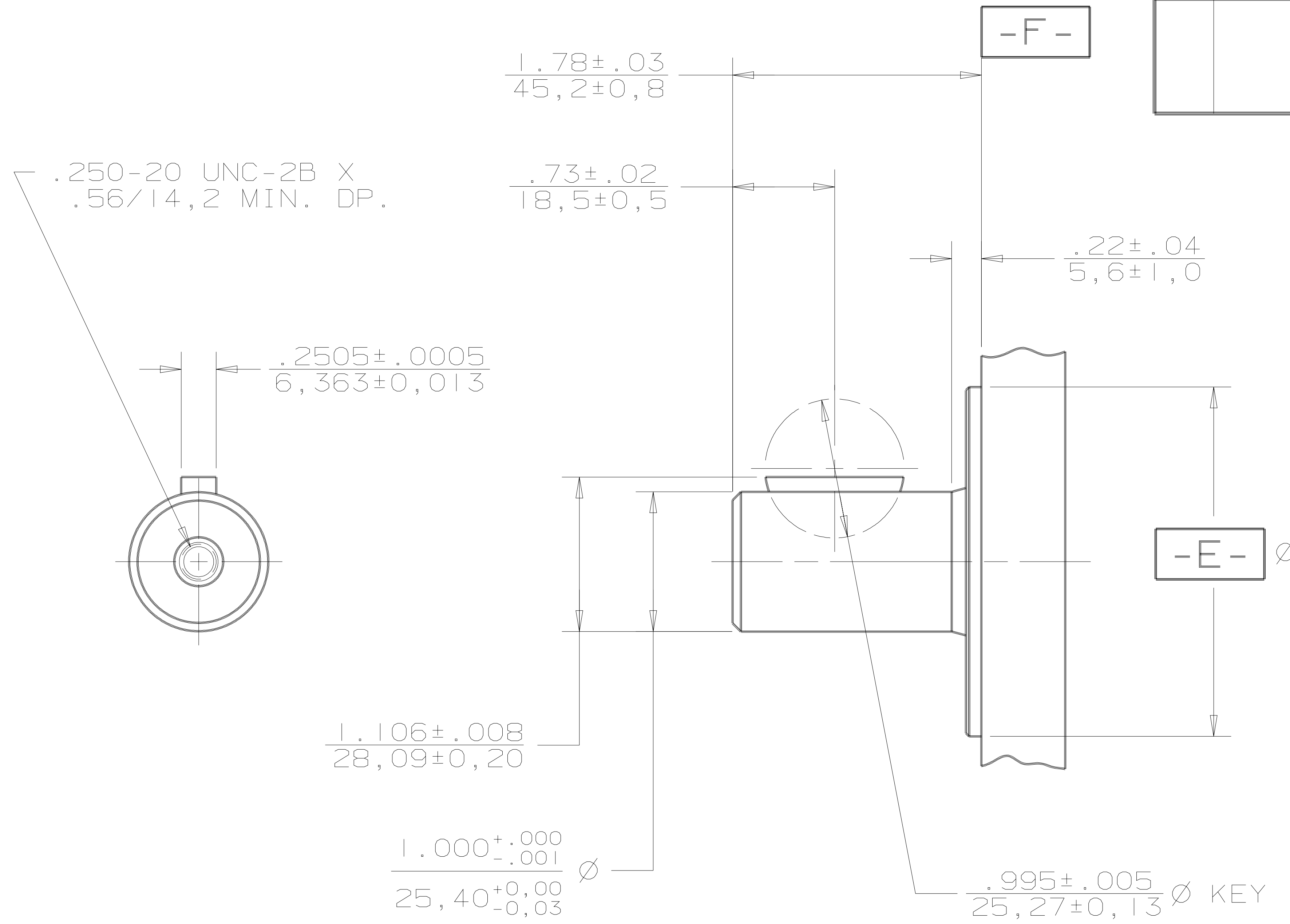


SYM	REVISION	BY	DATE	ECN
A	ENGINEERING RELEASE	RLL	2-4-88	15069
B	-1) OUTPUT SHAFT WAS "27" -2) ADDED SHAFT OPTION "N"	JSB	03-18-13	M88481



⊙	E	.010/0,26 ∅
⊥	F	.003/0,08

OUTPUT SHAFT

O1 = 1.00/25,4 DIA. STRAIGHT WITH WOODRUFF KEY AND .250-20 THREADED HOLE

SHAFT OPTION

N= ELECTROLESS NICKEL PLATED

<p>THE REPRODUCTION, DISTRIBUTION, AND UTILIZATION OF THIS DOCUMENT, AS WELL AS THE COMMUNICATION OF ITS CONTENTS TO OTHERS WITHOUT EXPLICIT AUTHORIZATION IS PROHIBITED. OFFENDERS WILL BE HELD LIABLE FOR THE PAYMENT OF DAMAGES. ALL RIGHTS RESERVED IN THE EVENT OF THE GRANT OF A PATENT, UTILITY MODEL, OR DESIGN. (PER ISO 16016)</p>			
<p>DRAWN RLL 2-19-88 BY/DATE</p>	<p>MATERIAL/HEAT TREAT</p>		
<p>CHECKED BY/DATE</p>	<p>TITLE</p> <p>SHAFT INSTALLATION</p>		
<p>ENGRG BY/DATE</p>	<p>DO NOT SCALE</p>		
<p>THIRD ANGLE PROJECTION</p>	<p>LINEAR MEASUREMENT IN/MM</p> <p>IN MM</p>	<p>NUMBER</p> <p>A-109-027</p>	
<p>SCALE FULL SIZE</p>		<p>SHEET 1 OF 1</p>	