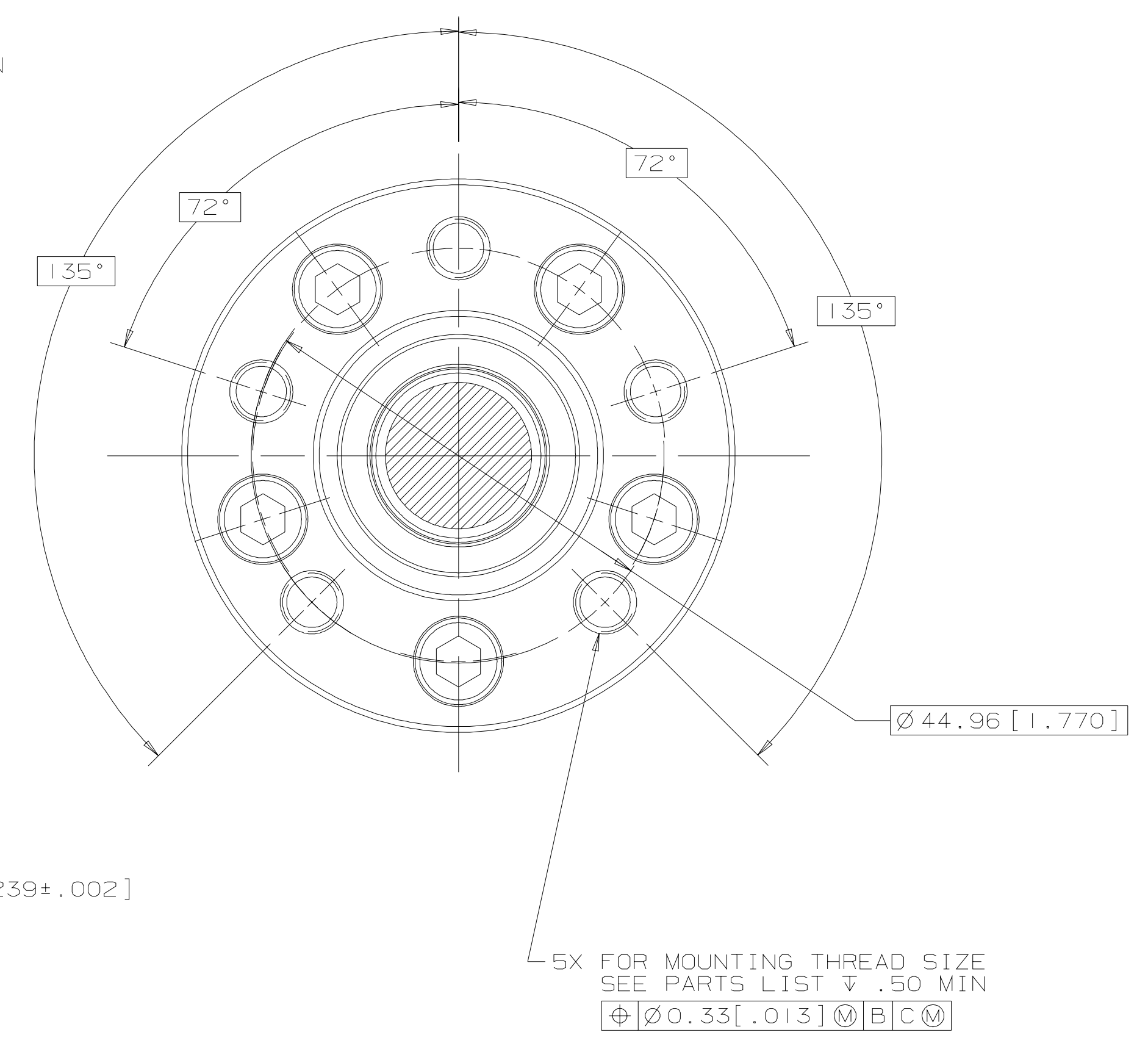
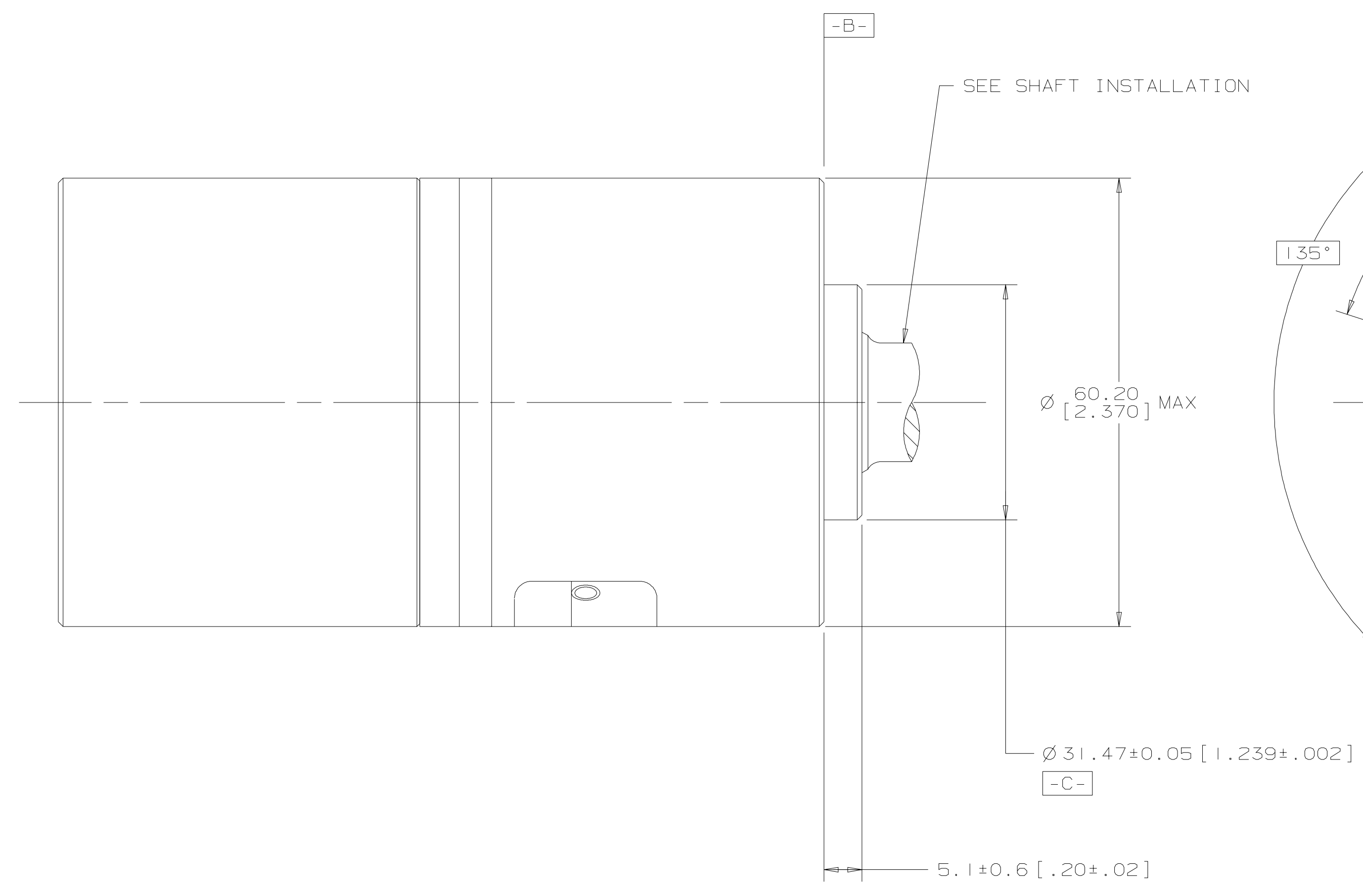
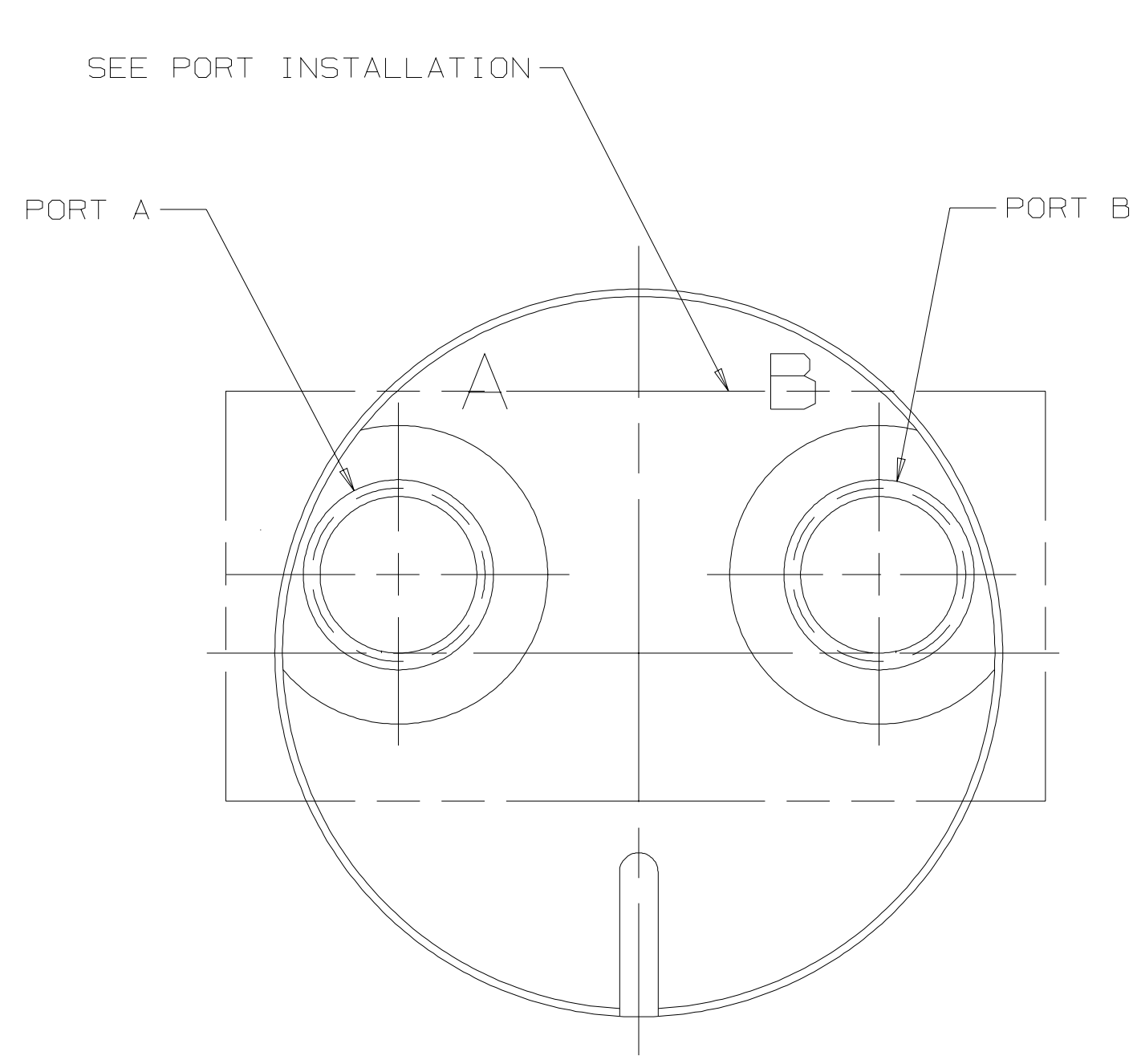


REV	DESCRIPTION	BY	CHK	DATE	ECN
A	ENGINEERING RELEASE	RAF		1-23-96	27675
B	-1) UPDATED FORMAT PER CURRENT STANDARD -2) (2B) WAS $\Phi \text{Ø}0.33 [ .013 ] \text{M} \text{C} \text{M} \text{B}$	PRK	HRK	8-24-09	M76464A



NOTE

1 ROTATION  
 O = STANDARD: WHEN FACING SHAFT END OF MOTOR SHAFT TO ROTATE CLOCKWISE WHEN PORT "A" IS PRESSURIZED COUNTERCLOCKWISE WHEN PORT "B" IS PRESSURIZED  
 I = REVERSE: WHEN FACING SHAFT END OF MOTOR SHAFT TO ROTATE CLOCKWISE WHEN PORT "B" IS PRESSURIZED COUNTERCLOCKWISE WHEN PORT "A" IS PRESSURIZED

2 MOUNTING FLANGE:  
 A = 5 BOLT: Ø31.47 [ 1.239 ] X 5.1 [ .20 ] PILOT 1/4-28 UNF-2B MOUNTING HOLES ON Ø45.0 [ 1.77 ] BOLT CIRCLE  
 B = 5 BOLT: Ø31.47 [ 1.239 ] X 5.1 [ .20 ] PILOT M6 X 1.0-6H MOUNTING HOLES ON Ø45.0 [ 1.77 ] BOLT CIRCLE  
 J = 5 BOLT: Ø31.47 [ 1.239 ] X 5.1 [ .20 ] PILOT 1/4-28 UNF-2B MOUNTING HOLES ON Ø45.0 [ 1.77 ] BOLT CIRCLE WITH 3X 5/16-18 UNF-2B MOUNTING HOLES ON REAR

REVIEWED FOR CLASSIFICATION PER ESP-042

UNLESS OTHERWISE SPECIFIED ALL DIMENSIONS ARE IN INCHES <input type="checkbox"/> MILLIMETERS <input checked="" type="checkbox"/>		DRAWING BASED ON ANSI Y14.5M-1982	
THE REPRODUCTION, DISTRIBUTION, AND UTILIZATION OF THIS DOCUMENT, AS WELL AS THE COMMUNICATION OF ITS CONTENTS TO OTHERS WITHOUT EXPLICIT AUTHORIZATION IS PROHIBITED. OFFENDERS WILL BE HELD LIABLE FOR THE PAYMENT OF DAMAGES. ALL RIGHTS RESERVED IN THE EVENT OF THE GRANT OF A PATENT, UTILITY MODEL, OR DESIGN. (PER ISO 16016)			
TOLERANCES .X +----- .XX +REF .XXX +ONLY < +-----	DRAIN BY/DATE RAF 2-7-96	MATERIAL/HEAT TREAT	
UNSPECIFIED DRAFT ANGLES ARE	CHECKED BY/DATE	TITLE	
UNSPECIFIED DRAFT ANGLES ARE	ENGRG. BY/DATE	J2 MOTOR INSTALLATION	
UNSPECIFIED DRAFT ANGLES ARE	METALLURGY BY/DATE	NUMBER	A-817-019
DRAWING FORMAT CAD <input checked="" type="checkbox"/> MANUAL <input type="checkbox"/>	THIRD ANGLE PROJECTION	SCALE	2/1
	DO NOT SCALE	ARTHEMETICAL AVERAGE	SHEET 1 OF 1