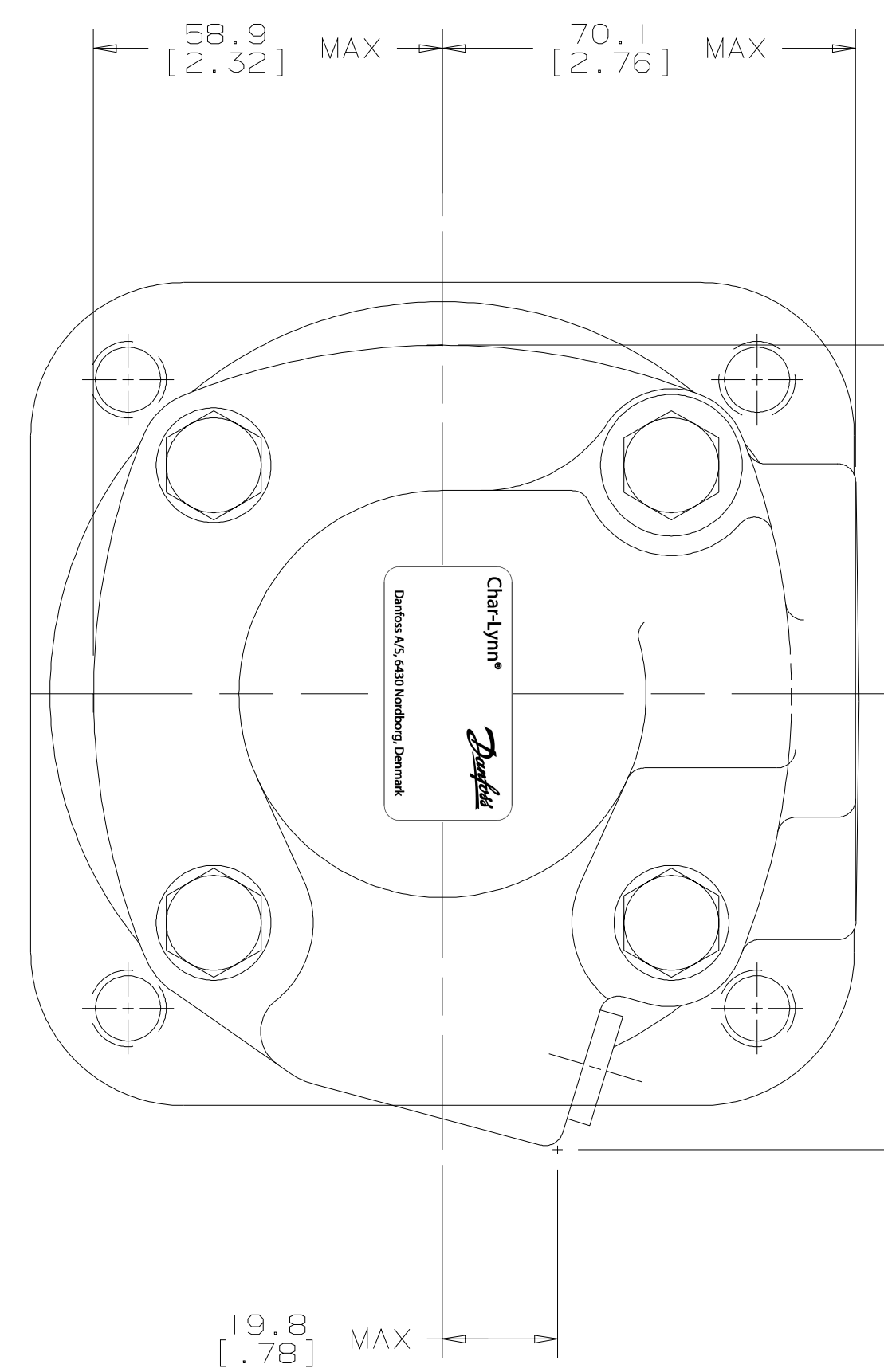


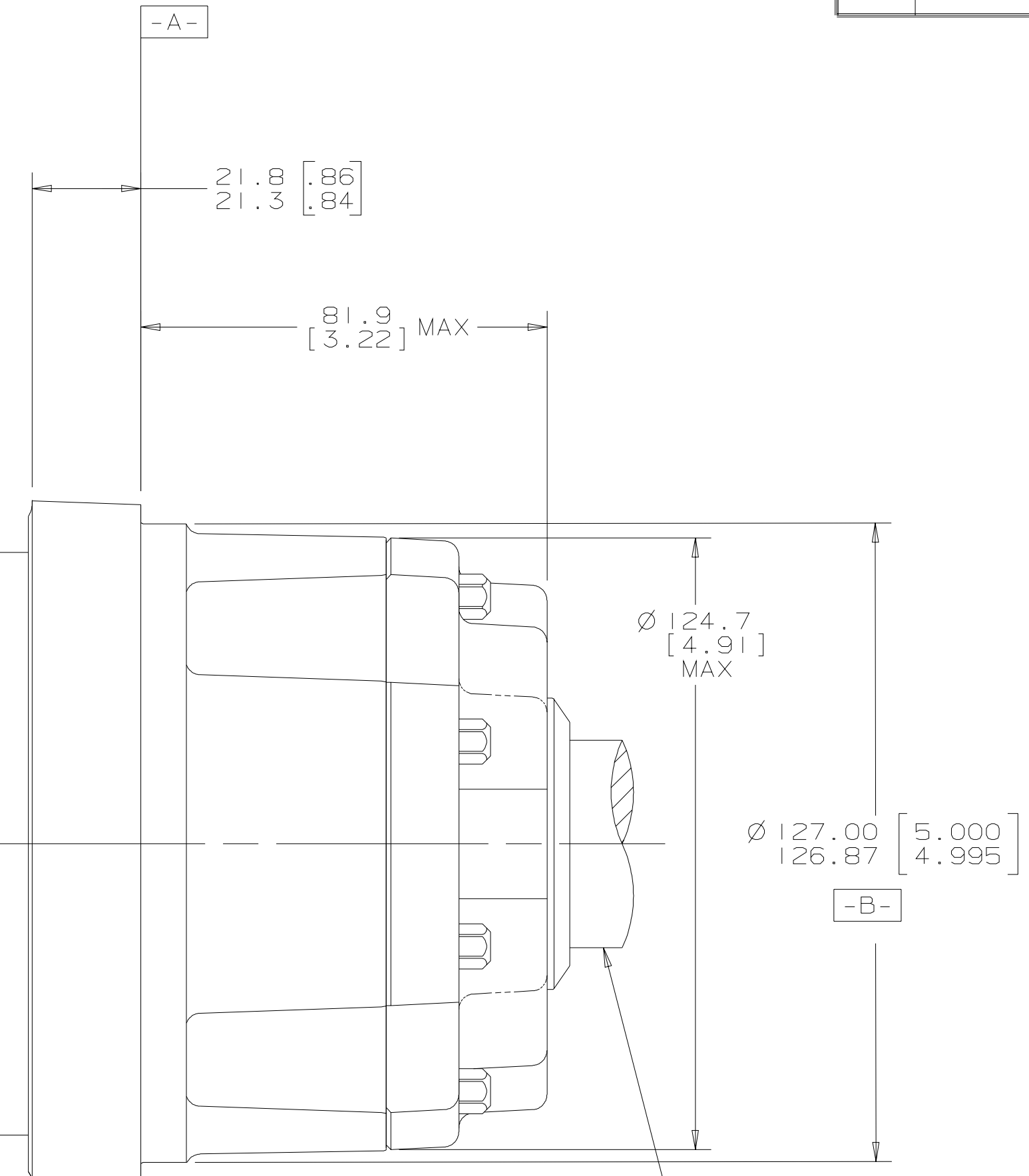
REV	DESCRIPTION	BY	CHK	DATE	ECN
A	ENGINEERING RELEASE	AGJ		8-25-94	M12335
B	(7B) REMOVED 18°/16°	AGJ		11-22-95	27499
C	(5C) (7C) REVISED PICTORIALY	RAF		2-5-97	29191
D	(7A) MOUNTING TYPE WAS "D"	SSD		1-24-07	0002527



SEE PORT INSTALLATION

PORT-A

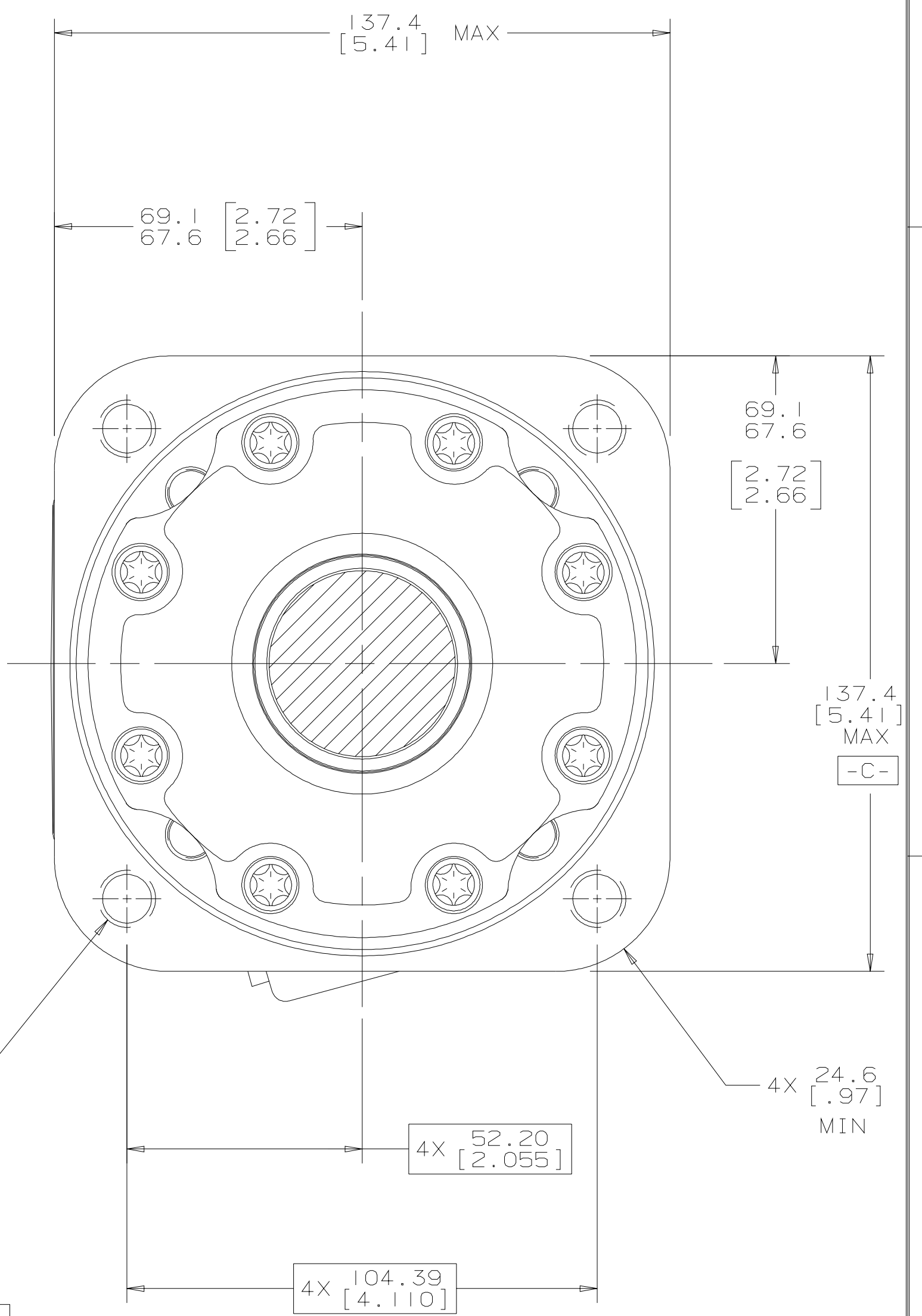
PORT-B



SEE SHAFT INSTALLATION

4X 1/2-13 UNC-2B

⊕	Ø 1.5 [.06]	M	A	B	M	C
⊕	Ø 0.76 [.030]	M	A			



NOTE

1 ROTATION:
 STANDARD; WHEN FACING SHAFT END OF MOTOR, SHAFT TO ROTATE:
 CLOCKWISE WHEN PORT "A" IS PRESSURIZED
 COUNTERCLOCKWISE WHEN PORT "B" IS PRESSURIZED

REVERSE; WHEN FACING SHAFT END OF MOTOR, SHAFT TO ROTATE:
 CLOCKWISE WHEN PORT "B" IS PRESSURIZED.
 COUNTERCLOCKWISE WHEN PORT "A" IS PRESSURIZED

2 MOUNTING TYPE: AD
 WHEEL, 4 BOLT: 127.00 [5.000] PILOT DIA.
 .500-13 UNC-2B THREADED HOLES ON 147.62 [5.812] DIA. BOLT CIRCLE.

UNLESS OTHERWISE SPECIFIED ALL DIMENSIONS ARE IN INCHES <input type="checkbox"/> MILLIMETERS <input checked="" type="checkbox"/>		DRAWING BASED ON ANSI Y14.5M-1982	
TOLERANCES .X +---- .XX +REF .XXX +ONLY < +----		THE REPRODUCTION, DISTRIBUTION, AND UTILIZATION OF THIS DOCUMENT, AS WELL AS THE COMMUNICATION OF ITS CONTENTS TO OTHERS WITHOUT EXPLICIT AUTHORIZATION IS PROHIBITED. OFFENDERS WILL BE HELD LIABLE FOR THE PAYMENT OF DAMAGES. ALL RIGHTS RESERVED IN THE EVENT OF THE GRANT OF A PATENT, UTILITY MODEL, OR DESIGN. (PER ISO 16016)	
DRWN BY/DATE AGJ 9-16-94 CHCKD BY/DATE SDR 10-18-94 ENGR BY/DATE MLB 10-20-94 UNDESIGNED RADII ARE		MATERIAL/HEAT TREAT TITLE 4000 SERIES MOTOR INSTALLATION	
UNSPECIFIED DRAFT ANGLES ARE		THIRD ANGLE PROJECTION	
DRAWING FORMAT CAD <input checked="" type="checkbox"/> MANUAL <input type="checkbox"/>		DO NOT SCALE	
MICROINCHES (MICROINCHES)		NUMBER A-901	
ARITHMETICAL AVERAGE		SCALE 1/1 SHEET 1 OF 1	

