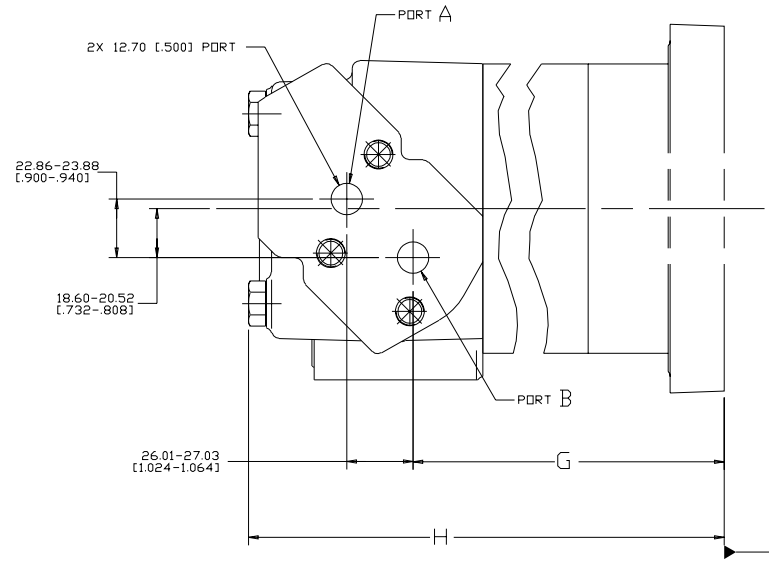
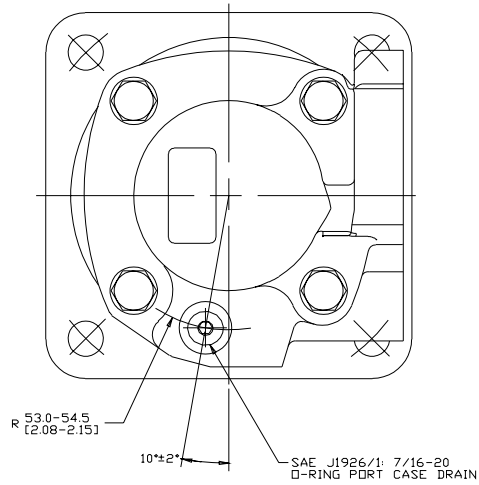


MOUNTING TYPE AA			MOUNTING TYPE AC & AD		
DISP	G	H MAX	DISP	G	H MAX
067	93.7-95.0 [3.69-3.74]	6.38 [162.2]	067	90.2-91.3 [3.55-3.60]	158.8 [6.25]
080	97.7-99.1 [3.85-3.90]	6.54 [166.2]	080	94.3-95.4 [3.71-3.76]	162.8 [6.41]
099	104.1-105.4 [4.10-4.15]	6.79 [172.5]	099	100.6-101.7 [3.96-4.00]	169.2 [6.66]
125	112.6-113.9 [4.43-4.48]	7.13 [181.1]	125	109.1-110.2 [4.30-4.34]	177.5 [6.99]
150	104.1-105.4 [4.10-4.15]	6.79 [172.5]	150	100.6-101.7 [3.96-4.00]	169.2 [6.66]
171	108.5-109.8 [4.27-4.32]	6.97 [176.9]	171	105.0-106.1 [4.13-4.18]	173.5 [6.83]
190	112.6-113.9 [4.43-4.48]	7.13 [181.1]	190	109.1-110.2 [4.30-4.34]	177.5 [6.99]
240	123.3-124.6 [4.85-4.90]	7.55 [191.7]	240	119.8-120.9 [4.72-4.76]	188.2 [7.41]
301	136.1-137.4 [5.36-5.41]	8.05 [204.6]	301	132.6-133.8 [5.22-5.27]	201.2 [7.92]
342	144.9-146.2 [5.71-5.76]	8.40 [213.4]	342	141.4-142.6 [5.57-5.61]	210.0 [8.27]
381	153.2-154.5 [6.03-6.08]	8.73 [221.6]	381	149.7-150.9 [5.89-5.94]	218.2 [8.59]



NOTES

- 1 PORTS - OPTION AG
- 2 CASE FLOW - OPTION 09

REVIEWED FOR CLASSIFICATION PER ESP-042

UNLESS OTHERWISE SPECIFIED DIMENSIONS ARE IN		DRAWING BASED ON ASME Y14.5M-1994	
INCHES <input type="checkbox"/>	MILLIMETERS <input checked="" type="checkbox"/>	THE REPRODUCTION, DISTRIBUTION AND UTILIZATION OF THIS DOCUMENT, AS WELL AS THE COMMUNICATION OF ITS CONTENTS TO OTHERS WITHOUT EXPRESS AUTHORIZATION IS PROHIBITED. OFFENDERS WILL BE HELD LIABLE FOR THE PAYMENT OF DAMAGES. ALL RIGHTS RESERVED IN THE EVENT OF A PATENT, UTILITY MODEL, OR DESIGN. (PER ISO 9000)	
TOLERANCES			
x x ----			
xx + REF	DRAWN: SMM 03-07-02	MATERIAL/HEAT TREAT	
xxx + DNL Y	BY DATE		
z ----	CHECKED: AGJ 03-08-02		
UNSPECIFIED RADI ARE	ENGINE: RTH 03-08-02	TITLE	
---	METALLURGY: ----	4000 SERIES MOTOR PORT INSTALLATION	
UNSPECIFIED DRAFT ANGLES ARE	BY DATE	MICROFINISHES <input type="checkbox"/> NUMBER	
---		THIRD ANGLE PROJECTION <input checked="" type="checkbox"/>	
DRAWING FORMAT CASE <input checked="" type="checkbox"/> MANUAL <input type="checkbox"/>	DO NOT SCALE	SCALE 1/1 SHEET 1 OF 1	

REV	DESCRIPTION	BY	CHK	DATE	ECN
A	ENGINEERING RELEASE	SMM		03-05-02	M27371A
B	REVISED	SMM		03-12-02	M27371B
C	REVISED TABULATION BLOCK	AGJ		5-17-04	47918
D	-1X(2A)PORT OPTION WAS *W*-2)ADDED CASE FLOW OPTION *09* -3)UPDATED DISP VALUES AND MOUNTING TYPE IN THE TABLE	AMM		1-24-07	0002527
E	-1X(8D) ADDED TABULATION BLOCK FOR MOUNTING TYPE AA -2X(5C)22.86-23.88 [900-940] WAS 23.11-23.62 [910-930] -3X(4B) 18.60-20.52 [732-808] WAS 19.30-19.81 [760-780] -4X(4B) 26.01-27.03 [1.024-1.064] WAS 26.26-26.77 [1.034-1.054] -5X(7B) 53.0-54.5 [2.08-2.15] WAS 53.59-53.85 [2.11-2.12] -6X(6B) 10*2* WAS 10*1* -6X(6B) SAE J1926... WAS 7/16-20...-7)DRAWING UPDATED TO ASME Y14.5M-1994 STANDARD	CSG	AAB	10-26-12	M87302