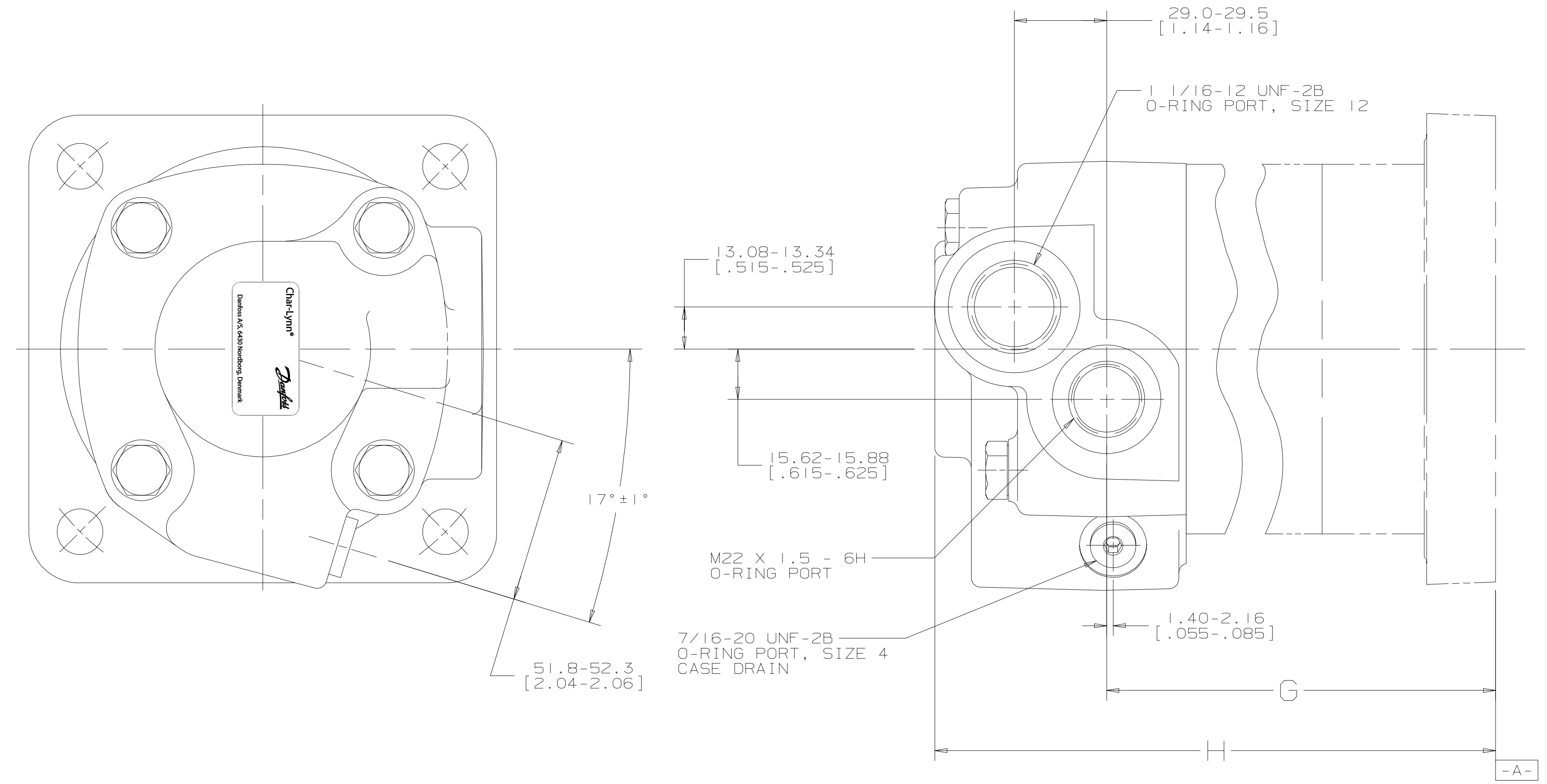


8 MOUNTING TYPE AA & AG			7 MOUNTING TYPE AB & AM			6 MOUNTING TYPE AC & AD			5 MOUNTING TYPE AE			4 MOUNTING TYPE AF		
DISP	G	H MAX	DISP	G	H MAX	DISP	G	H MAX	DISP	G	H MAX	DISP	G	H MAX
067	90.6-91.5 [3.57-3.60]	146.8 [5.78]	067	157.6-159.1 [6.20-6.26]	214.4 [8.44]	067	86.9-88.0 [3.42-3.47]	143.3 [5.64]	067	138.5-140.4 [5.45-5.53]	195.6 [7.70]	067	161.7-163.3 [6.37-6.43]	218.6 [8.61]
080	94.6-95.6 [3.73-3.76]	150.8 [5.94]	080	161.6-163.1 [6.36-6.42]	218.4 [8.60]	080	91.0-92.2 [3.58-3.63]	147.3 [5.80]	080	142.5-144.5 [5.61-5.69]	199.6 [7.86]	080	165.8-167.4 [6.53-6.59]	222.7 [8.77]
099	101.0-101.9 [3.98-4.01]	157.1 [6.19]	099	167.9-169.5 [6.61-6.67]	224.7 [8.85]	099	97.3-98.4 [3.83-3.87]	153.6 [6.05]	099	148.8-150.7 [5.86-5.93]	206.0 [8.11]	099	172.1-173.7 [6.78-6.84]	229.0 [9.01]
125	109.5-110.4 [4.31-4.35]	165.7 [6.52]	125	176.5-178.0 [6.95-7.01]	233.2 [9.18]	125	105.8-106.9 [4.17-4.21]	162.3 [6.39]	125	157.2-159.3 [6.19-6.27]	214.6 [8.45]	125	180.6-182.2 [7.11-7.18]	237.5 [9.35]
150	101.0-101.9 [3.98-4.01]	157.1 [6.19]	150	167.9-169.5 [6.61-6.67]	224.7 [8.85]	150	97.3-98.4 [3.83-3.87]	153.6 [6.05]	150	148.8-150.7 [5.86-5.93]	206.0 [8.11]	150	172.1-173.7 [6.78-6.84]	229.0 [9.01]
171	105.4-106.3 [4.15-4.18]	161.5 [6.36]	171	172.5-174.0 [6.79-6.85]	229.1 [9.02]	171	101.7-102.8 [4.00-4.05]	158.0 [6.22]	171	153.2-155.1 [6.03-6.11]	210.3 [8.28]	171	176.5-178.1 [6.95-7.01]	233.3 [9.19]
190	109.5-110.4 [4.31-4.35]	165.7 [6.52]	190	176.5-178.0 [6.95-7.01]	233.2 [9.18]	190	105.8-106.9 [4.17-4.21]	162.3 [6.39]	190	157.2-159.3 [6.19-6.27]	214.6 [8.45]	190	180.6-182.2 [7.11-7.18]	237.5 [9.35]
240	120.2-121.1 [4.73-4.77]	176.3 [6.94]	240	187.1-188.7 [7.37-7.43]	243.9 [9.60]	240	116.5-117.6 [4.59-4.63]	173.0 [6.81]	240	167.9-169.9 [6.61-6.69]	225.3 [8.87]	240	191.3-192.9 [7.53-7.60]	248.2 [9.77]
301	133.0-134.0 [5.24-5.28]	189.2 [7.45]	301	199.9-201.6 [7.87-7.94]	256.8 [10.11]	301	129.3-130.5 [5.09-5.14]	185.8 [7.31]	301	180.8-182.8 [7.12-7.20]	238.0 [9.37]	301	204.1-205.8 [8.04-8.10]	261.1 [10.28]
342	141.7-142.7 [5.58-5.62]	198.1 [7.80]	342	208.8-210.3 [8.22-8.28]	265.7 [10.46]	342	138.2-139.2 [5.44-5.48]	194.6 [7.66]	342	189.5-191.5 [7.46-7.54]	246.9 [9.72]	342	212.8-214.6 [8.38-8.45]	269.7 [10.62]
381	150.0-151.1 [5.91-5.95]	206.3 [8.12]	381	217.0-218.6 [8.54-8.61]	273.9 [10.78]	381	146.4-147.6 [5.76-5.81]	202.9 [7.99]	381	197.9-199.9 [7.79-7.87]	255.3 [10.05]	381	221.2-222.9 [8.71-8.78]	278.1 [10.95]

MOUNTING TYPE AH		
DISP	G	H MAX
067	136.9-138.2 [5.39-5.44]	193.5 [7.62]
080	141.0-142.2 [5.55-5.60]	197.6 [7.78]
099	147.3-148.6 [5.80-5.85]	204.0 [8.03]
125	155.7-157.2 [6.13-6.19]	212.3 [8.36]
150	147.3-148.6 [5.80-5.85]	204.0 [8.03]
171	151.6-152.9 [5.97-6.02]	208.3 [8.20]
190	155.7-157.2 [6.13-6.19]	212.3 [8.36]
240	166.4-167.9 [6.55-6.61]	223.0 [8.78]
301	179.3-180.8 [7.06-7.12]	236.0 [9.29]
342	188.0-189.5 [7.40-7.46]	244.8 [9.64]
381	196.3-197.9 [7.73-7.79]	253.0 [9.96]

SYM	REVISION	BY	DATE	ECN
A	ENGINEERING RELEASE	AAK	10-25-04	M61686C
B	-1)(2A)PORT OPTION WAS "3" -2)ADDED CASE FLOW OPTION "02" -3)UPDATED DISP VALUES AND MOUNTING TYPE IN THE TABLE	AMM	1-24-07	0002527



NOTES  
 1 PORTS - OPTION AF  
 2 CASE FLOW - OPTION 02

UNLESS OTHERWISE SPECIFIED ALL DIMENSIONS ARE IN		DRAWING BASED ON ANSI Y14.5M-1982	
INCHES <input type="checkbox"/>	MILLIMETERS <input checked="" type="checkbox"/>	THE REPRODUCTION, DISTRIBUTION, AND UTILIZATION OF THIS DOCUMENT, AS WELL AS THE COMMUNICATION OF ITS CONTENTS TO OTHERS WITHOUT EXPLICIT AUTHORIZATION IS PROHIBITED. OFFENDERS WILL BE HELD LIABLE FOR THE PAYMENT OF DAMAGES. ALL RIGHTS RESERVED IN THE EVENT OF THE GRANT OF A PATENT, UTILITY MODEL, OR DESIGN. (PER ISO 16016)	
TOLERANCES			
.X	----		
.XX	+REF	DRWN BY/DATE AAK 10-28-04	MATERIAL/HEAT TREAT
.XXX	+ONLY	CHECKED BY/DATE AGJ 10-29-04	
UNSPECIFIED RADI ARE	----	ENGR BY/DATE JML 10-29-04	TITLE
UNSPECIFIED DRAFT ANGLES ARE	----	METALLURGY BY/DATE	4000 SERIES MOTOR PORT INSTALLATION
DRAWING FORMAT CAD <input checked="" type="checkbox"/> MANUAL <input type="checkbox"/>	THIRD ANGLE PROJECTION	MICROINCHES (MICROINCHES)	NUMBER
	DO NOT SCALE	ARITHMETICAL AVERAGE	A-556-021
		SCALE 1/1	SHEET 1 OF 1