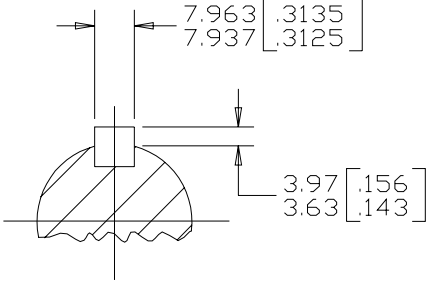
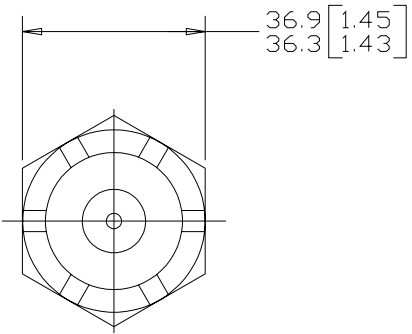
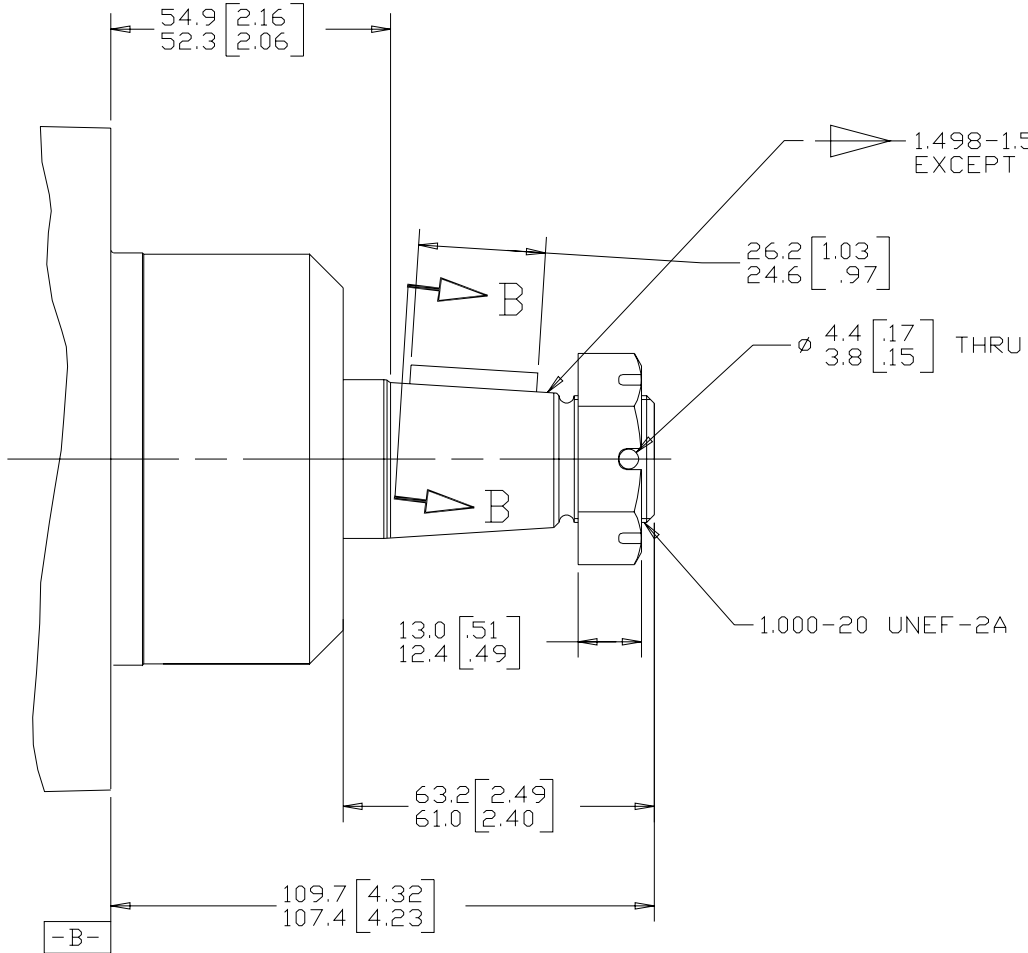


REV	DESCRIPTION	BY	CHK	DATE	ECN
A	ENGINEERING RELEASE	RAF		2-12-96	M14948
B	NOTE 1 WAS MOUNTING TYPE: OPTION R	AGJ		5-13-02	41044
C	REVISED	AGJ		5-17-04	47918
D	NOTE 2 WAS OUTPUT SHAFT: OPTION 37	PM		4-4-06	54522
E	REVISED PICTORIALY	YUP	YUP	01-19-17	M101103A



SECTION B-B

G K S

NOTE
 1 MOUNTING TYPE: OPTION AR
 2 OUTPUT SHAFT: OPTION 26

UNLESS OTHERWISE SPECIFIED ALL DIMENSIONS ARE IN INCHES <input type="checkbox"/> MILLIMETERS <input checked="" type="checkbox"/>	DRAWING BASED ON ANSI Y14.5M-1982		
	THE REPRODUCTION, DISTRIBUTION, AND UTILIZATION OF THIS DOCUMENT, AS WELL AS THE COMMUNICATION OF ITS CONTENTS TO OTHERS WITHOUT EXPLICIT AUTHORIZATION IS PROHIBITED. OFFENDERS WILL BE HELD LIABLE FOR THE PAYMENT OF DAMAGES. ALL RIGHTS RESERVED IN THE EVENT OF THE GRANT OF A PATENT, UTILITY MODEL, OR DESIGN. (PER ISO 16016)		
TOLERANCES x ± ---- xx ± REF xxx ± ONLY < ± ----	DRAWN BY/DATE RAF 2-14-96 CHECKED BY/DATE SDR 2-14-96	MATERIAL/HEAT TREAT	
UNSPECIFIED RADII ARE ---- UNSPECIFIED DRAFT ANGLES ARE ----	ENGRG BY/DATE MLB 2-15-96 METALLURGY BY/DATE ----	TITLE 2000 SERIES MOTOR SHAFT INSTALLATION	
DRAWING FORMAT CADD <input checked="" type="checkbox"/> MANUAL <input type="checkbox"/>	THIRD ANGLE PROJECTION DO NOT SCALE	MICROINCHES <input type="checkbox"/> MICROMETERS (MICROINCHES) <input type="checkbox"/> ARITHMETICAL AVERAGE <input checked="" type="checkbox"/>	NUMBER A-842-037 SCALE 1/1 SHEET 1 OF 1