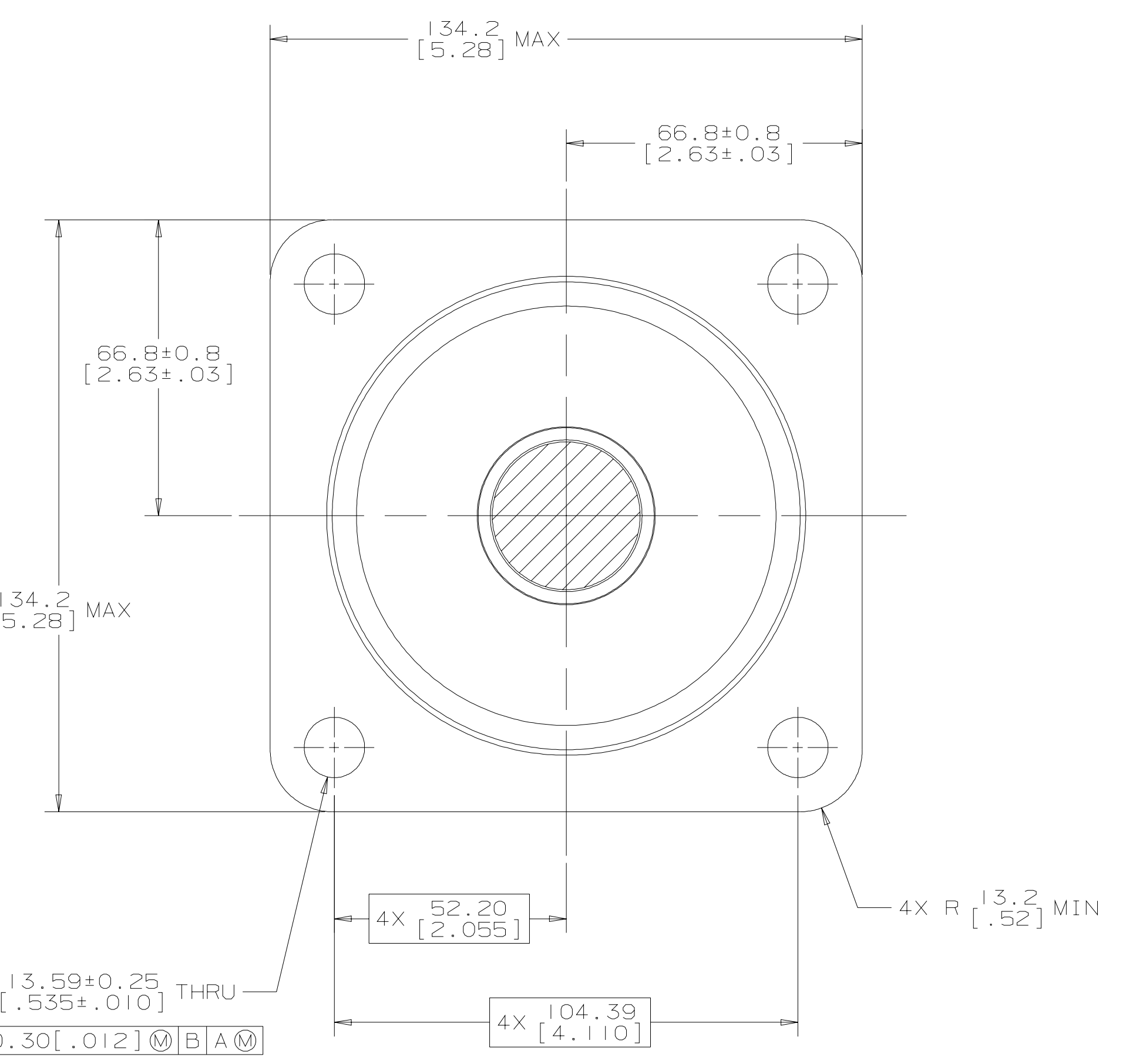
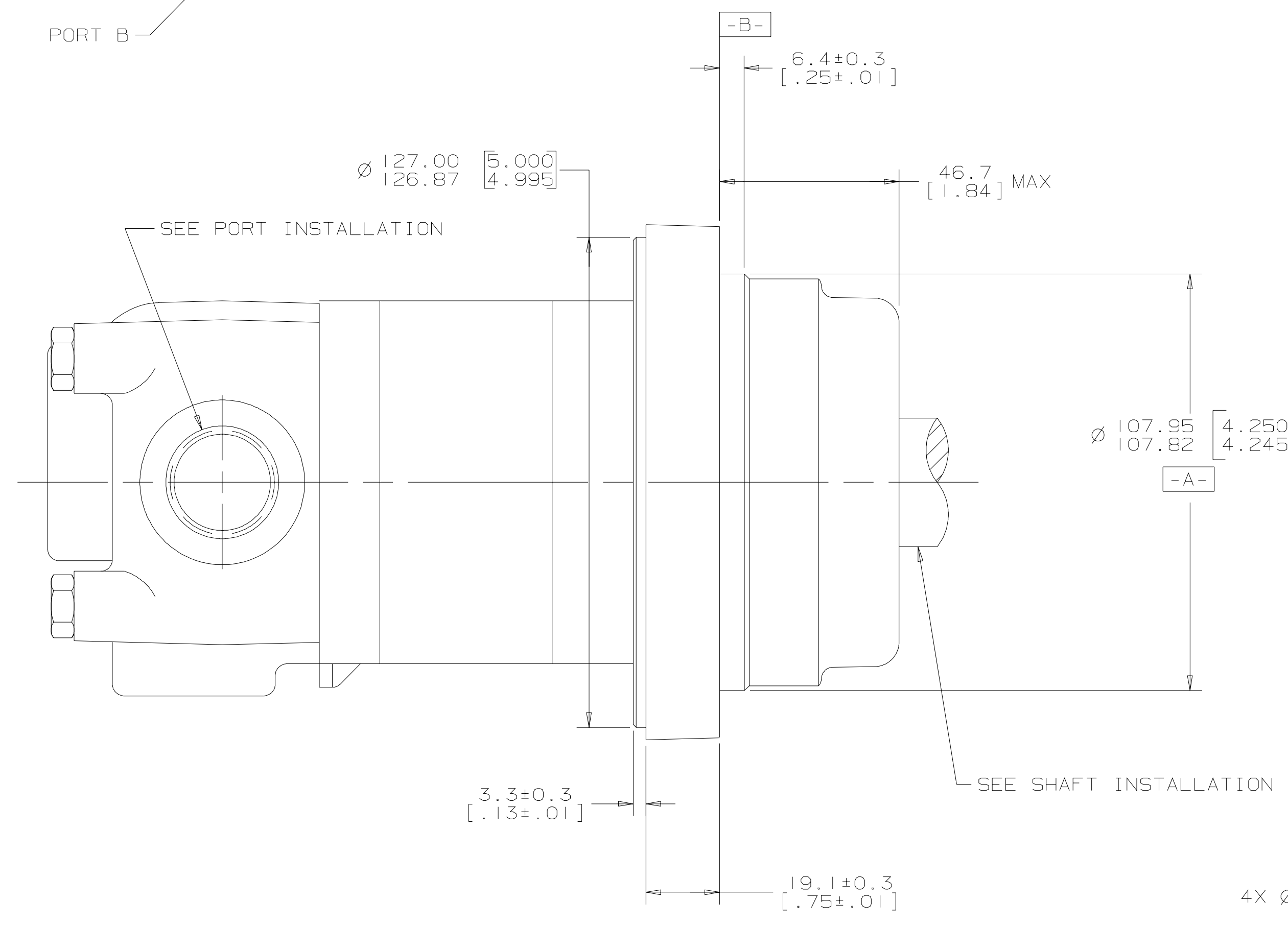
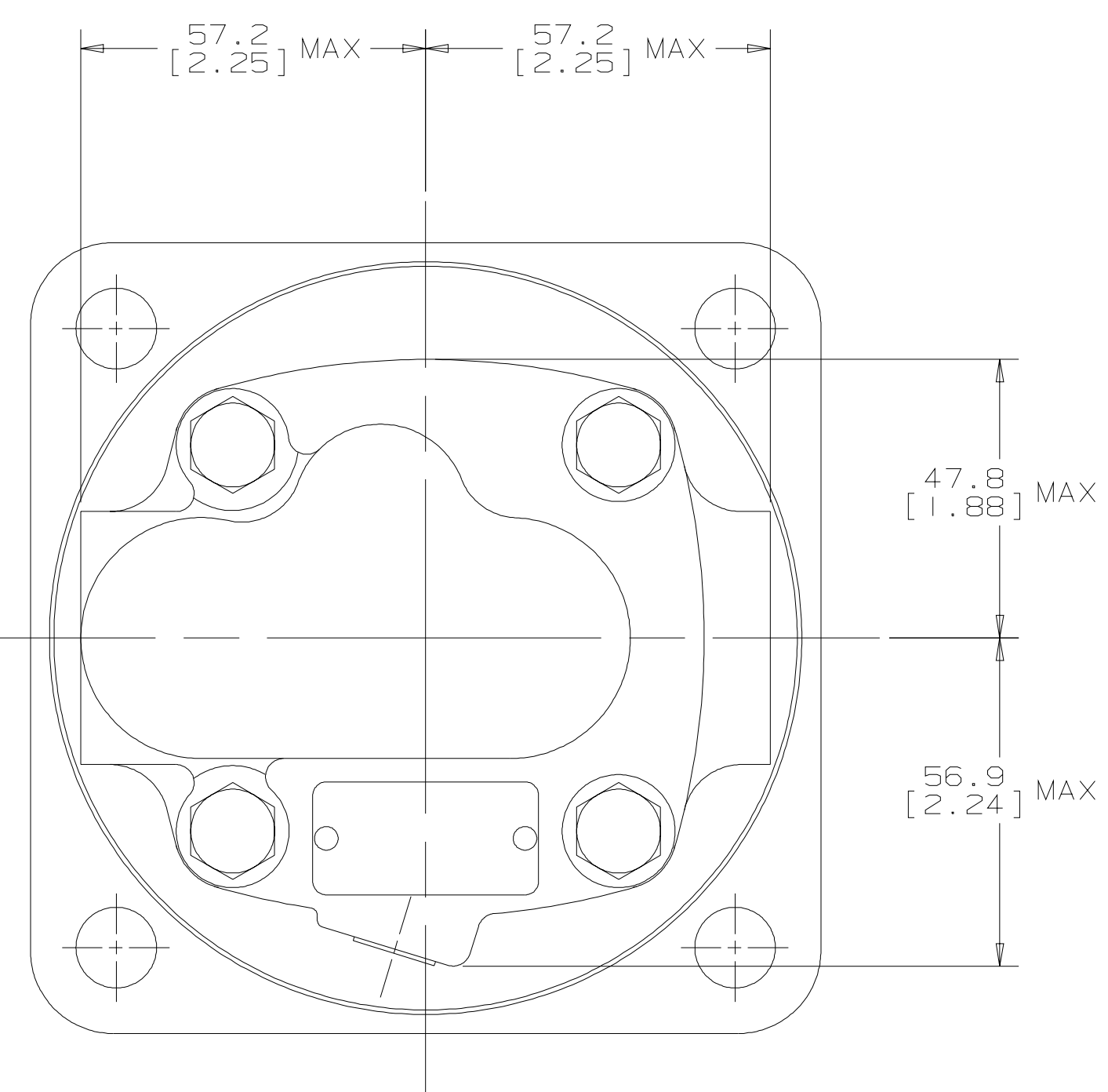
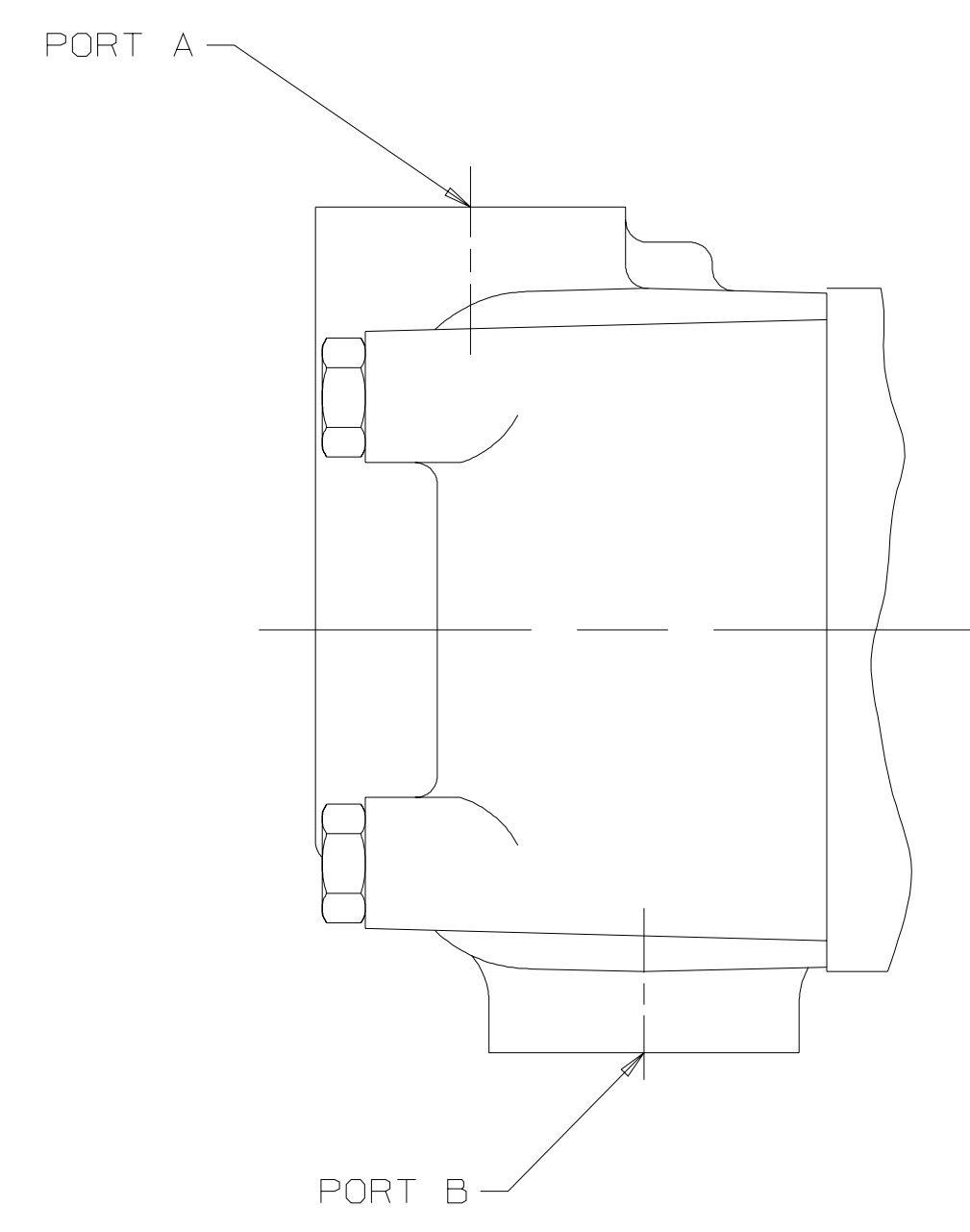


| SYM | REVISION  | BY  | DATE    | ECN   |
|-----|---|-----|---------|-------|
| A   | ENGINEERING RELEASE   | AGJ | 5-26-93 | 22833 |
| B   | -1)(4B) ADDED Ø93.0/91.4 [3.66/3.60]<br>-2)(4C) ADDED 21.6 [.85] MAX -3) REVISED PICTORIALY | JMS | 7-29-99 | 33164 |
| C   | (4A) NOTE 2 WAS MOUNTING TYPE: B  | AGJ | 5/13/02 | 41044 |
| D   | -1)(4B) REMOVED 93.0/91.4 [3.66/3.60]<br>-2)(4C) REMOVED 21.6 [.85] MAX                     | AAK | 3-2-04  | 46977 |



NOTE

1 ROTATION:  
STANDARD: WHEN FACING SHAFT END OF MOTOR, SHAFT TO ROTATE;  
CLOCKWISE WHEN PORT "A" IS PRESSURIZED  
COUNTERCLOCKWISE WHEN PORT "B" IS PRESSURIZED

REVERSE: WHEN FACING SHAFT END OF MOTOR, SHAFT TO ROTATE;  
CLOCKWISE WHEN PORT "B" IS PRESSURIZED  
COUNTERCLOCKWISE WHEN PORT "A" IS PRESSURIZED

2 MOUNTING TYPE: AB  
WHEEL, 4 BOLT: Ø 108.0 [4.25] PILOT  
Ø 13.59 [.535] HOLES ON Ø 147.6 [5.81] BOLT CIRCLE  
Ø 127.0 [5.00] REAR MOUNT PILOT

G K S

| UNLESS OTHERWISE SPECIFIED ALL DIMENSIONS ARE IN                                       |   | DRAWING BASED ON ANSI Y14.5M-1982   |                     |
|--|---|---|---------------------|
| INCHES <input type="checkbox"/>  | MILLIMETERS <input checked="" type="checkbox"/> | THE REPRODUCTION, DISTRIBUTION, AND UTILIZATION OF THIS DOCUMENT, AS WELL AS THE COMMUNICATION OF ITS CONTENTS TO OTHERS WITHOUT EXPLICIT AUTHORIZATION IS PROHIBITED. OFFENDERS WILL BE HELD LIABLE FOR THE PAYMENT OF DAMAGES. ALL RIGHTS RESERVED IN THE EVENT OF THE GRANT OF A PATENT, UTILITY MODEL, OR DESIGN. (PER ISO 16016) |                     |
| TOLERANCES   |   |   |                     |
| .XX ± REF  |   |   |                     |
| .XXX ± ONLY  |   | DRAWN BY/DATE: A. JOHNSON 3-18-93<br>CHECKED BY/DATE: SDR 6-24-93<br>ENGR. BY/DATE: SZ 5-28-93<br>METALLURGY BY/DATE:   | MATERIAL/HEAT TREAT |
| UNSPECIFIED RADI ARE   |   | TITLE: 2000 SERIES MOTOR INSTALL  |                     |
| UNSPECIFIED DRAFT ANGLES ARE   |   | THIRD ANGLE PROJECTION <input checked="" type="checkbox"/> MICROINCHES (MICROINCHES) <input type="checkbox"/> NUMBER A-664-002  |                     |
| DRAWING FORMAT CAD <input checked="" type="checkbox"/> MANUAL <input type="checkbox"/> |   | DO NOT SCALE <input checked="" type="checkbox"/> ARITHMETICAL AVERAGE <input type="checkbox"/> SCALE 1/1 SHEET 1 OF 1   |                     |