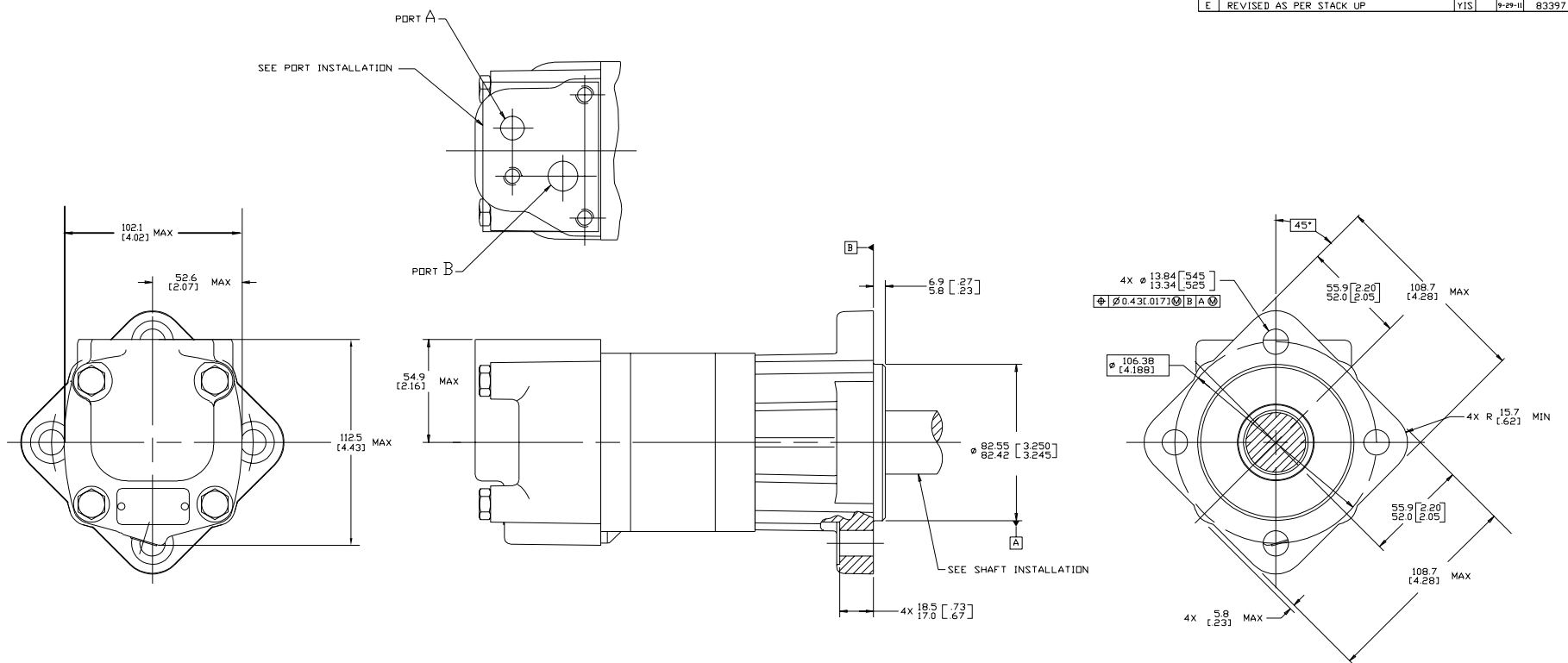


REV	DESCRIPTION	BY	CHK	DATE	ECN	MPS
A	ENGINEERING RELEASE	AGJ		9-26-94		22833
E	REVISED AS PER STACK UP	YIS		9-29-11		83397



NOTE

1 ROTATION:
 STANDARD: WHEN FACING SHAFT END OF MOTOR, SHAFT TO ROTATE;
 CLOCKWISE WHEN PORT 'A' IS PRESSURIZED;
 COUNTERCLOCKWISE WHEN PORT 'B' IS PRESSURIZED

REVERSE: WHEN FACING SHAFT END OF MOTOR, SHAFT TO ROTATE;
 CLOCKWISE WHEN PORT 'B' IS PRESSURIZED;
 COUNTERCLOCKWISE WHEN PORT 'A' IS PRESSURIZED

2 MOUNTING TYPE: AH
 STANDARD: 4 BOLT ϕ 82.6 [3.25] PILOT
 ϕ 13.59 [.535] HOLES ON ϕ 106.4 [4.19] BOLT CIRCLE

REVIEWED FOR CLASSIFICATION PER ESP-042

UNLESS OTHERWISE SPECIFIED ALL DIMENSIONS ARE IN INCHES	DRAWING BASED ON ASME Y14.5M-1994	
MILLIMETERS <input type="checkbox"/>	THE REPRODUCTION, DISTRIBUTION, AND UTILIZATION OF THIS DOCUMENT, AS WELL AS THE COMMUNICATION OF ITS CONTENTS TO OTHERS WITHOUT THE WRITTEN AUTHORIZATION OF THE ORIGINAL AUTHOR, IS PROHIBITED. THIS DOCUMENT IS THE PROPERTY OF THE ORIGINAL AUTHOR AND IS LOANED TO YOU. IT IS TO BE RETURNED TO THE ORIGINAL AUTHOR UPON REQUEST.	
TOLERANCES		
3X ± .005	SHAFT ϕ A-3000	MATERIAL HEAT TREAT
XX ± .005	BY DATE 9-26-94	
UNSPECIFIED RADIUS ARE:	ENGRS BY DATE 9-26-94	TITLE
UNSPECIFIED DRAFT ANGLES ARE:	SCALE	2000 SERIES MOTOR INSTALLATION
D SIZE	3RD ANGLE PROJECTION	NUMBER
	DO NOT SCALE	A-669-004
		SCALE
		L/1 SHEET 1 OF 1