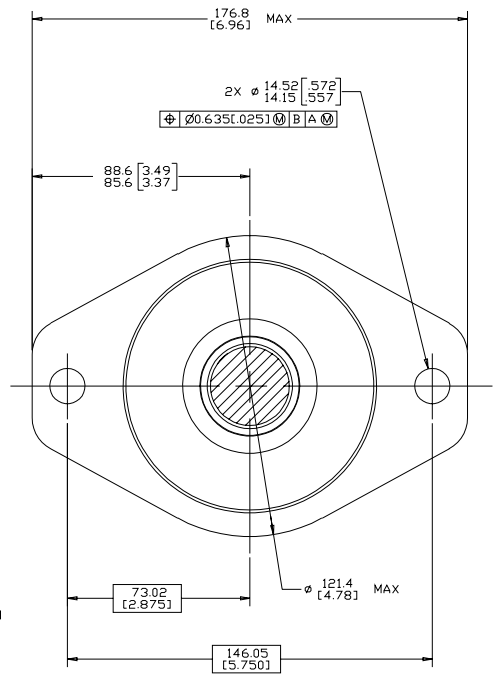
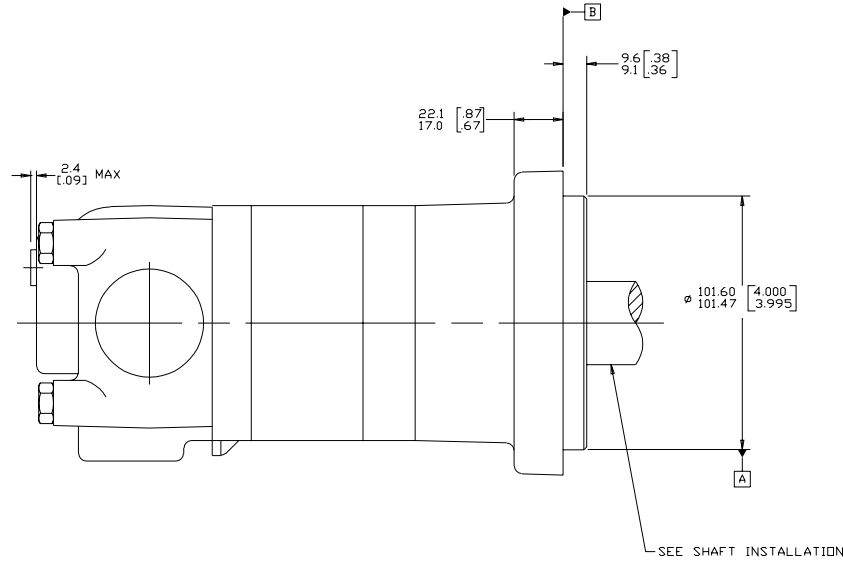
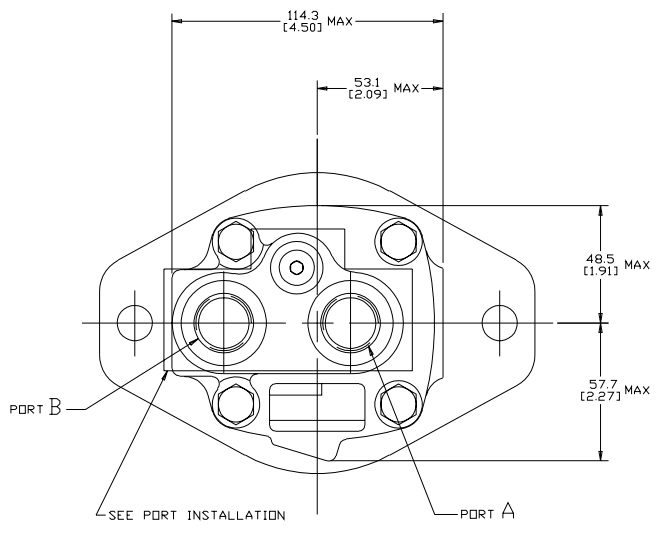


SYM	REVISION	BY	DATE	ECN
A	ENGINEERING RELEASE	AGJ	5-26-93	22833
B	(4)NOTE 2 WAS MOUNTING TYPE: F	AGJ	5/13/02	41044
C	REVISED AS PER STACK-UP	SMT	08/25/14	0058549



NOTE

1 ROTATION:
 STANDARD: WHEN FACING SHAFT END OF MOTOR, SHAFT TO ROTATE;
 CLOCKWISE WHEN PORT "A" IS PRESSURIZED
 COUNTERCLOCKWISE WHEN PORT "B" IS PRESSURIZED
 REVERSE: WHEN FACING SHAFT END OF MOTOR, SHAFT TO ROTATE;
 CLOCKWISE WHEN PORT "B" IS PRESSURIZED
 COUNTERCLOCKWISE WHEN PORT "A" IS PRESSURIZED

2 MOUNTING TYPE: AF
 STANDARD: 2 BOLT, ϕ 101.6 [4.00] PILOT
 ϕ 14.35 [0.565] HOLES ON ϕ 146.0 [5.75]
 BOLT CIRCLE "SAE B"

REVIEWED FOR CLASSIFICATION PER ESP-042

UNLESS OTHERWISE SPECIFIED, DIMENSIONS ARE IN: INCHES <input type="checkbox"/> MILLIMETERS <input checked="" type="checkbox"/>	DRAWING BASED ON ASME Y14.5M-1994		
TOLERANCES X XX + REF XXX + ONLY Z	DRW: A. DANFORD BY DATE: 2/18/93 CHKD: SDR 6-24-93	MATERIAL/HEAT TREAT	
UNSPECIFIED RADI ARE -----	ENGR: S.J.Z 6-28-93 BY DATE	TITLE 2000 SERIES MOTOR INSTALL	
UNSPECIFIED DRAFT ANGLES ARE -----	<input checked="" type="checkbox"/> THIRD ANGLE PROJECTION <input type="checkbox"/> NOT SCALE	UNLESS OTHERWISE SPECIFIED, DIMENSIONS ARE IN: INCHES <input type="checkbox"/> MILLIMETERS <input checked="" type="checkbox"/>	NUMBER A-667-003
DRAWING FORMAT CASE <input type="checkbox"/> MANUAL <input checked="" type="checkbox"/>		SCALE 1/1	SHEET 1 OF 1