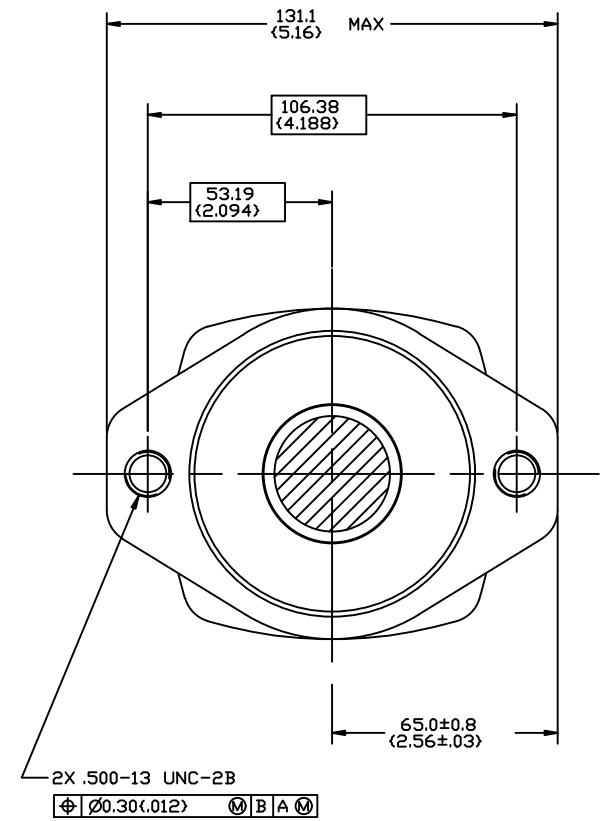
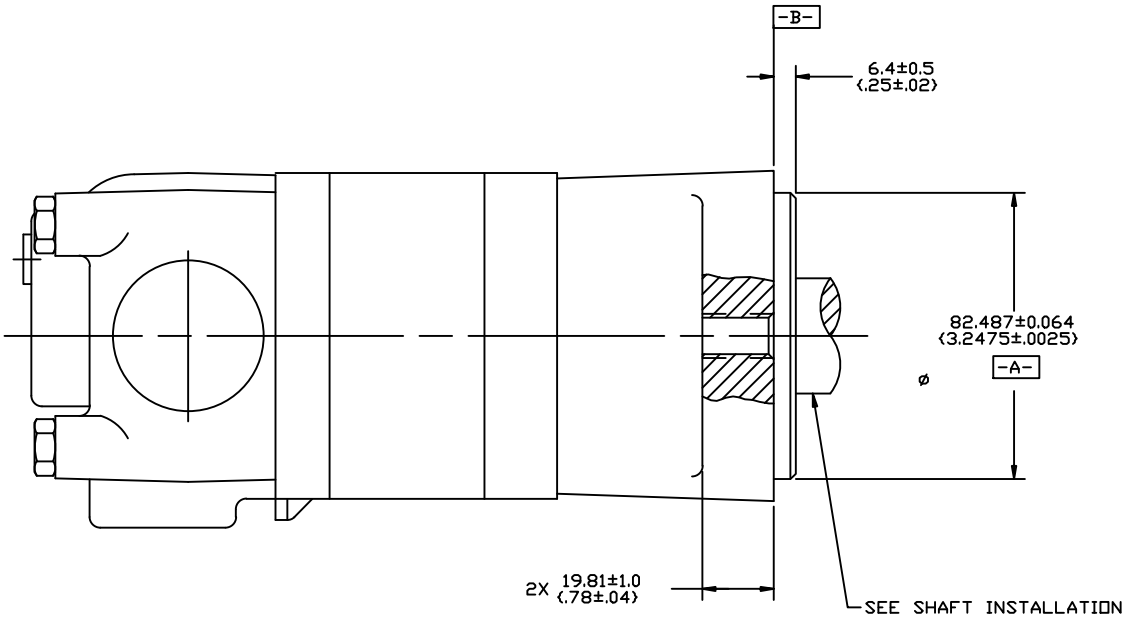
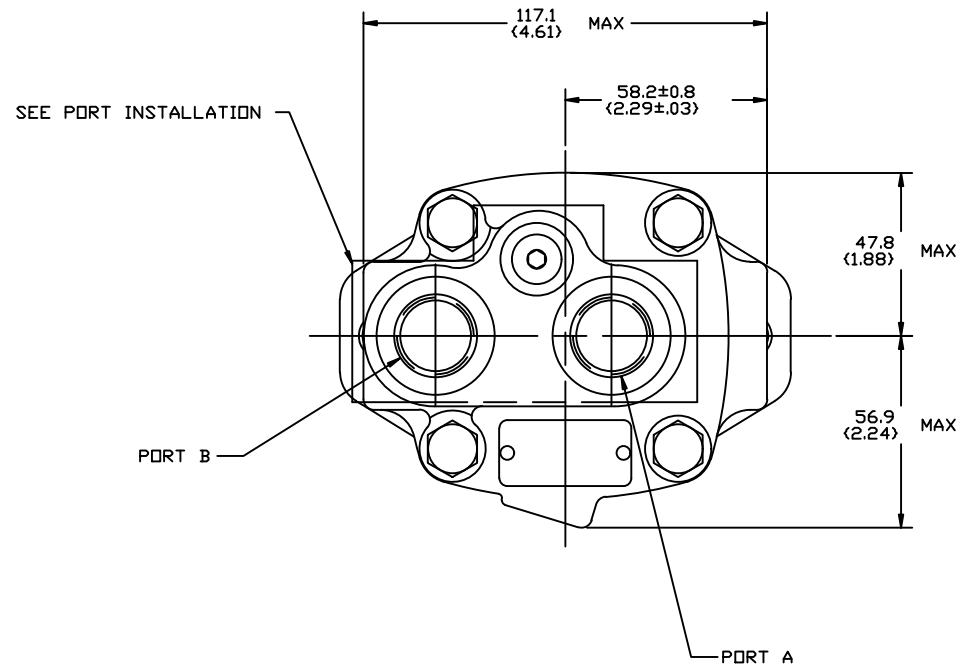


SYM	REVISION	BY	DATE	ECN
A	ENGINEERING RELEASE	MGF	2-18-99	32448
B	<4A>NOTE 2 WAS MOUNTING TYPE: 2	AGJ	5/13/02	41044
C	<4B> FLANGE THICKNESS WAS 2X.81±.03"	SMK	02/24/21	0129426



NOTE

- 1 ROTATION:  
 STANDARD: WHEN FACING SHAFT END OF MOTOR, SHAFT TO ROTATE;  
 CLOCKWISE WHEN PORT "A" IS PRESSURIZED  
 COUNTERCLOCKWISE WHEN PORT "B" IS PRESSURIZED  
 REVERSE: WHEN FACING SHAFT END OF MOTOR, SHAFT TO ROTATE;  
 CLOCKWISE WHEN PORT "B" IS PRESSURIZED  
 COUNTERCLOCKWISE WHEN PORT "A" IS PRESSURIZED
- 2 MOUNTING TYPE: BA  
 STANDARD, 2 BOLT:  $\varnothing$  82.6 (3.25) PILOT  
 .500-13 UNC-2B THREADED HOLES ON  $\varnothing$  106.4 (4.19)  
 BOLT CIRCLE "SAE A"

G K S

UNLESS OTHERWISE SPECIFIED ALL DIMENSIONS ARE IN		DRAWING BASED ON ANSI Y14.5M-1982	
INCHES	<input type="checkbox"/>	THE REPRODUCTION, DISTRIBUTION, AND UTILIZATION OF THIS DOCUMENT, AS WELL AS THE COMMUNICATION OF ITS CONTENTS TO OTHERS WITHOUT EXPLICIT AUTHORIZATION IS PROHIBITED. OFFENDERS WILL BE HELD LIABLE FOR THE PAYMENT OF DAMAGES. ALL RIGHTS RESERVED IN THE EVENT OF THE GRANT OF A PATENT, UTILITY MODEL, OR DESIGN. (PER ISO 10016)	
MILLIMETERS	<input checked="" type="checkbox"/>		
TOLERANCES			
UNSPECIFIED DIMENSIONS	AS SHOWN	DRAWN BY/DATE: MGF 2/19/99	MATERIAL/HEAT TREAT
UNSPECIFIED DIMENSIONS	AS SHOWN	CHECKED BY/DATE: AGJ 2-23-99	
UNSPECIFIED DIMENSIONS	AS SHOWN	ENGINEER BY/DATE: TRF 2-23-99	TITLE: 2000 SERIES MOTOR INSTALL
UNSPECIFIED DIMENSIONS	AS SHOWN	METALLURGY BY/DATE	NUMBER: A-665-034
UNSPECIFIED DIMENSIONS	AS SHOWN	THIRD ANGLE PROJECTION	SCALE: 1/1
DRAWING FORMAT	DD NOT SCALE	ARITHMETICAL AVERAGE	SHEET 1 OF 1