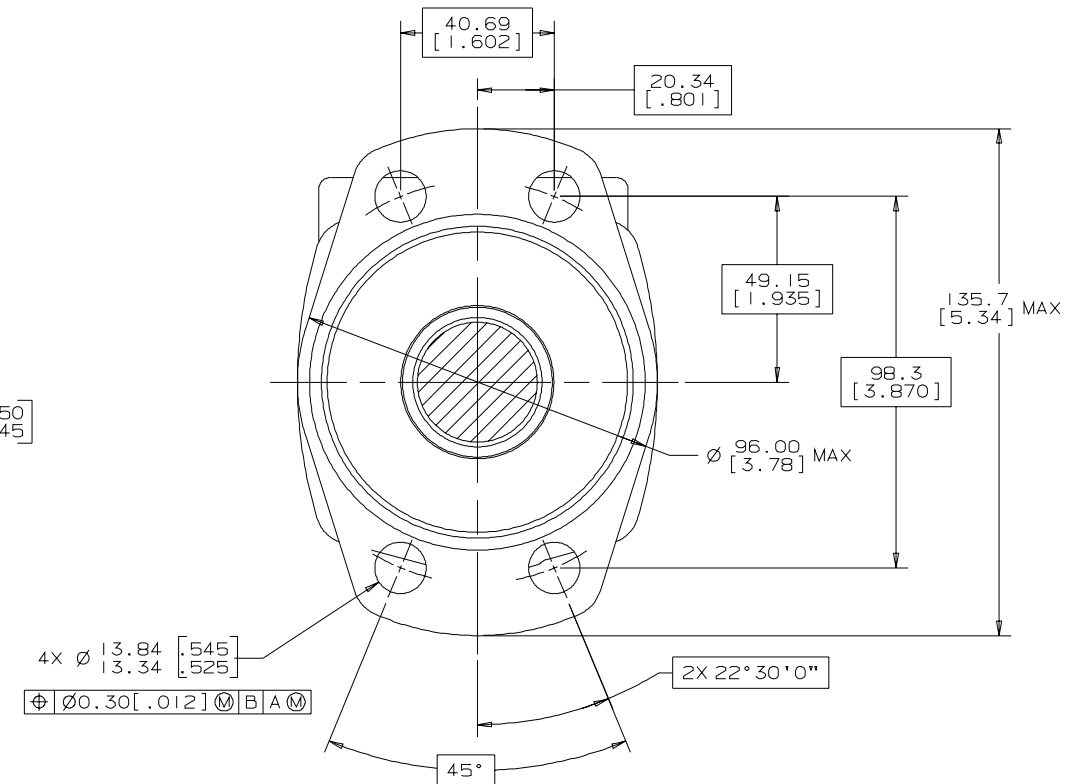
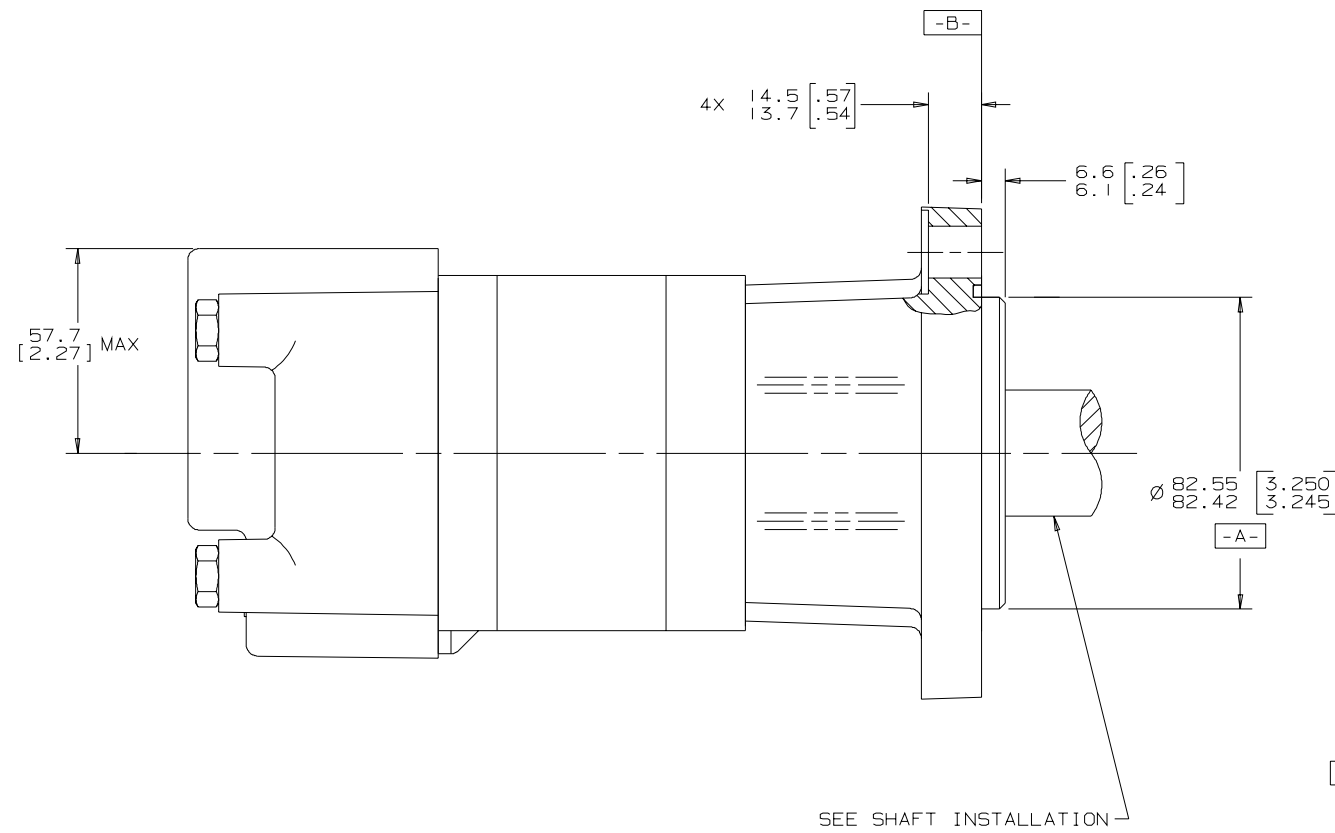
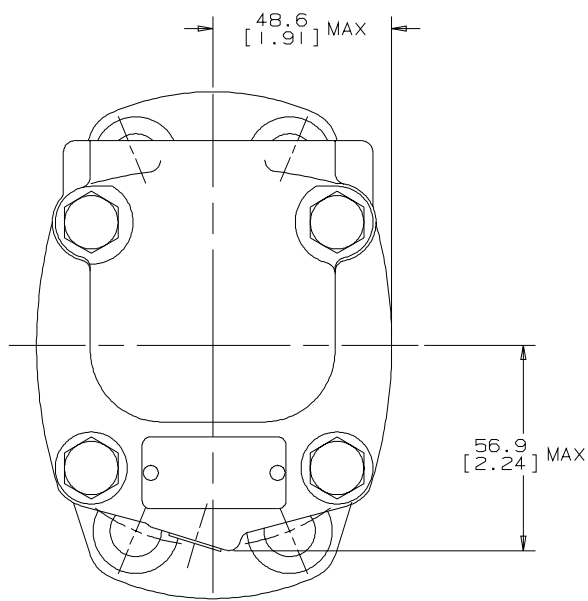
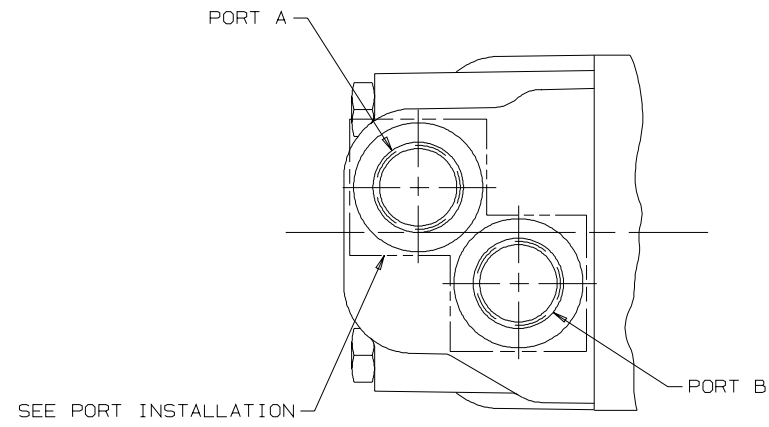


REV	DESCRIPTION	BY	CHK	DATE	ECN
A	ENGINEERING RELEASE	GCB		10-1-96	28736
B	(4A)NOTE 2 WAS MOUNTING TYPE: U	AGJ		5-13-02	41044



NOTE

- 1 ROTATION:
 STANDARD: WHEN FACING SHAFT END OF MOTOR, SHAFT TO ROTATE:
 CLOCKWISE WHEN PORT "A" IS PRESSURIZED
 COUNTERCLOCKWISE WHEN PORT "B" IS PRESSURIZED
 REVERSE: WHEN FACING SHAFT END OF MOTOR, SHAFT TO ROTATE:
 CLOCKWISE WHEN PORT "B" IS PRESSURIZED
 COUNTERCLOCKWISE WHEN PORT "A" IS PRESSURIZED

- 2 MOUNTING TYPE: AU
 STANDARD (MAGNETO), 4 BOLT: Ø 82.6 [3.25] PILOT
 Ø 13.59 [0.535] HOLES ON Ø 106.4 [4.19] BOLT CIRCLE
 6.35 [0.250] PILOT LENGTH WITH O-RING GROOVE TO
 ACCEPT ARP-152 O-RING

G K S

UNLESS OTHERWISE SPECIFIED ALL DIMENSIONS ARE IN		DRAWING BASED ON ANSI Y14.5M-1982	
INCHES <input type="checkbox"/>	MILLIMETERS <input checked="" type="checkbox"/>	THE REPRODUCTION, DISTRIBUTION, AND UTILIZATION OF THIS DOCUMENT, AS WELL AS THE COMBINATION OF ITS CONTENTS TO OTHERS WITHOUT EXPLICIT AUTHORIZATION IS PROHIBITED. OFFENDERS WILL BE HELD LIABLE FOR THE PAYMENT OF DAMAGES. ALL RIGHTS RESERVED IN THE EVENT OF THE GRANT OF A PATENT, UTILITY MODEL, OR DESIGN. (PER ISO 10119)	
TOLERANCES		MATERIAL/HEAT TREAT	
.X	----	DRAWN BY/DATE GCB 10-1-96	
.XX	----	CHECKED SDR 10-4-96	
.XXX	----	ENGRG BY/DATE MLB 10-2-96	TITLE
<	----	METALLURGY	2000 SERIES INSTALLATION
UNSPECIFIED RADI	ARE	NUMBER	
UNSPECIFIED DRAFT ANGLES ARE		A-1166-001	
DRAWING FORMAT CAD <input checked="" type="checkbox"/> MANUAL <input type="checkbox"/>	THIRD ANGLE PROJECTION	SCALE 1/1	SHEET 1 OF 1
DO NOT SCALE	ARITHMETICAL AVERAGE		

A