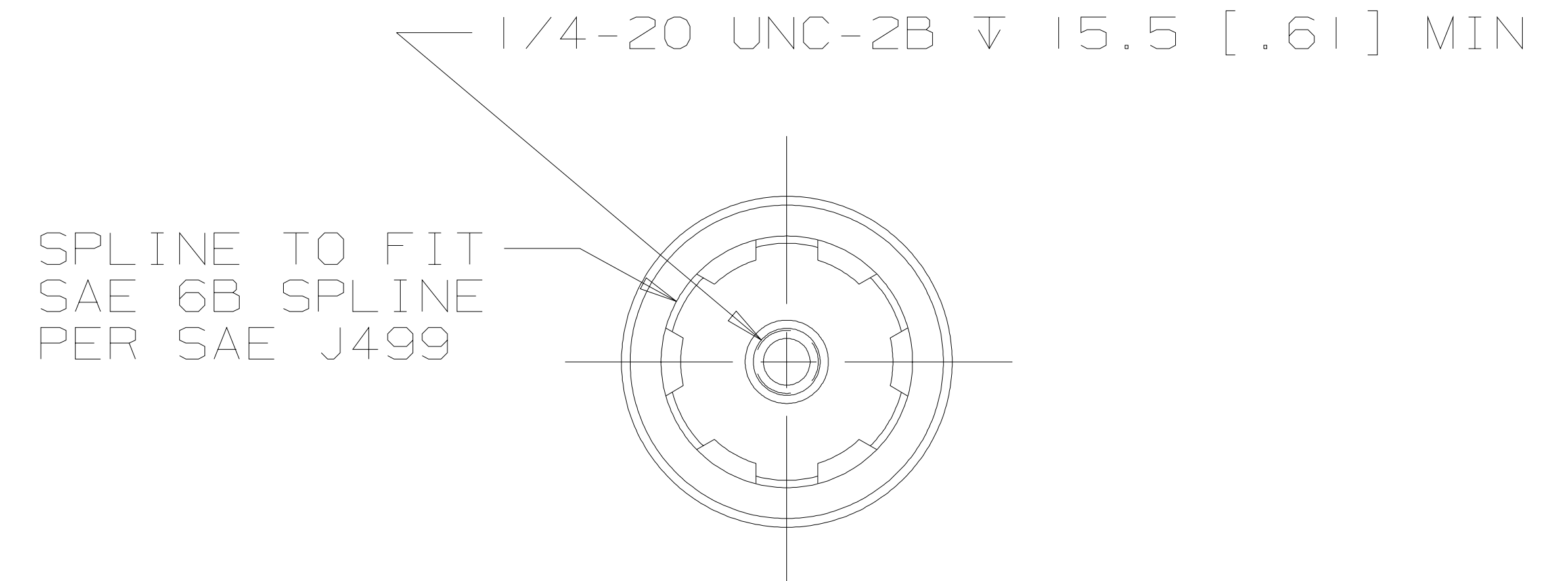
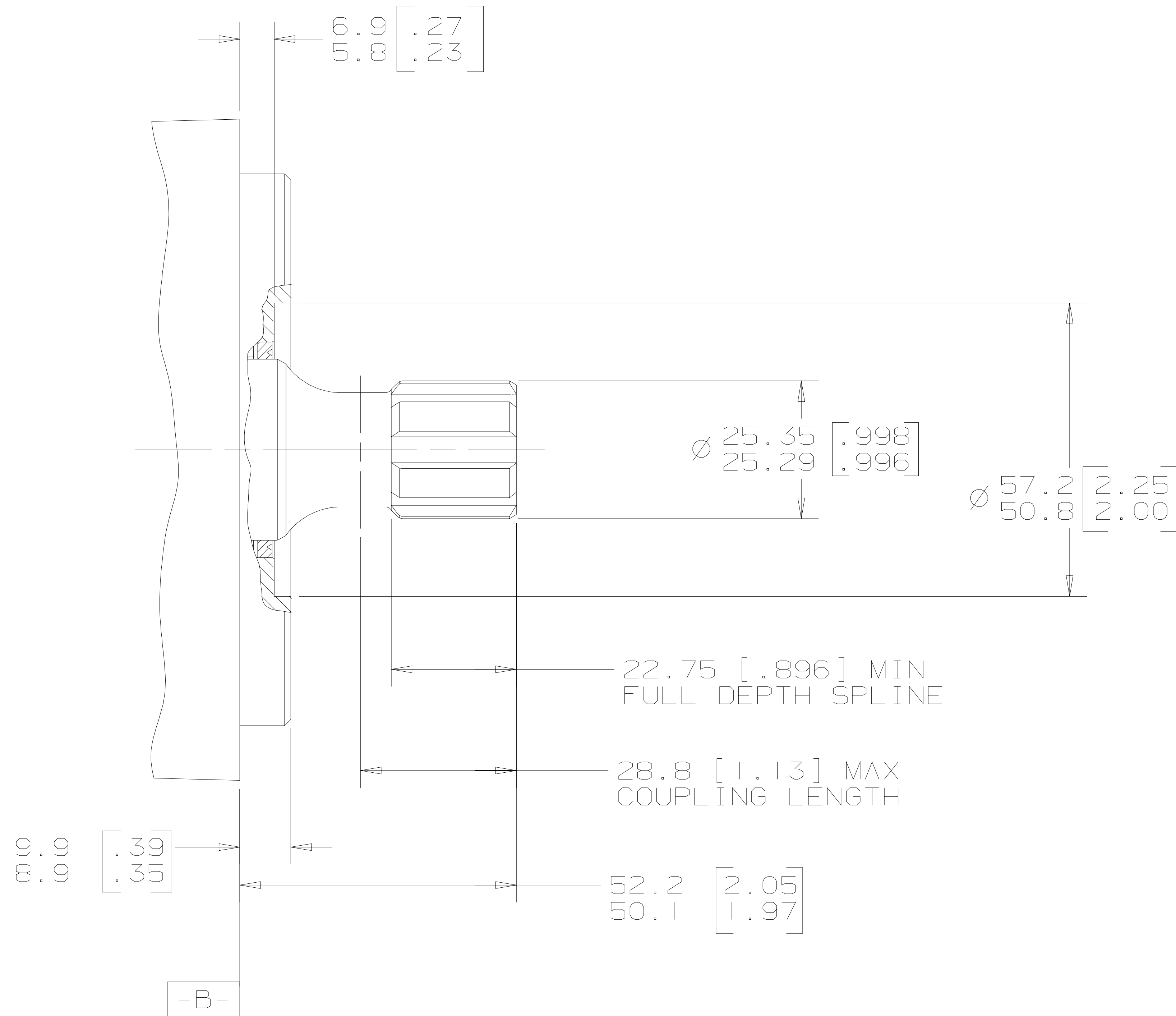


REV	DESCRIPTION	BY	CHK	DATE	ECN / MPS
A	ENGINEERING RELEASE	AGJ		5-26-93	22833
B	ADDED OUTPUT SHAFT 17 TO NOTE 2	SDR		3-11-97	M17077
C	NOTE 1 WAS MOUNTING TYPE: OPTION F	AGJ		5-13-02	41044
D	6.9/5.8 [.27/.23] WAS 6.4/5.8 [.25/.23]	AGJ		9-30-03	45244
E	NOTE 2 WAS OUTPUT SHAFT: OPTION 05 OR 17	PM		4-4-06	54522
F	REVISED	SSD		7-02-09	M76323



NOTE

- MOUNTING TYPE: OPTION AF FOR 2000 SERIES MOTOR
OPTION F FOR 2000 SERIES TWO SPEED MOTOR
- OUTPUT SHAFT: OPTION 05 OR 12

UNLESS OTHERWISE SPECIFIED ALL DIMENSIONS ARE IN INCHES <input type="checkbox"/> MILLIMETERS [INCHES] <input checked="" type="checkbox"/>	DRAWING BASED ON ANSI Y14.5M-1982	
	THE REPRODUCTION, DISTRIBUTION, AND UTILIZATION OF THIS DOCUMENT, AS WELL AS THE COMMUNICATION OF ITS CONTENTS TO OTHERS WITHOUT EXPLICIT AUTHORIZATION IS PROHIBITED. OFFENDERS WILL BE HELD LIABLE FOR THE PAYMENT OF DAMAGES. ALL RIGHTS RESERVED IN THE EVENT OF THE GRANT OF A PATENT, UTILITY MODEL, OR DESIGN. (PER ISO 16016)	
TOLERANCES .X ±XX ± REF .XXX ± ONLY ∅ ± ...	DRAWN A. JOHNSON BY/DATE 3-19-93	MATERIAL/HEAT TREAT -
	CHECKED SDR BY/DATE 6-24-93	
UNSPECIFIED RADII ARE: -----	ENGRG SJZ BY/DATE 6-28-93	TITLE 2000 SERIES MOTOR SHAFT INSTALLATION
UNSPECIFIED DRAFT ANGLES ARE: -----°	METALLURGY ----- BY/DATE -----	NUMBER A-685-005
B SIZE	THIRD ANGLE PROJECTION DO NOT SCALE	SCALE 1/1 SHEET 1 OF 1

