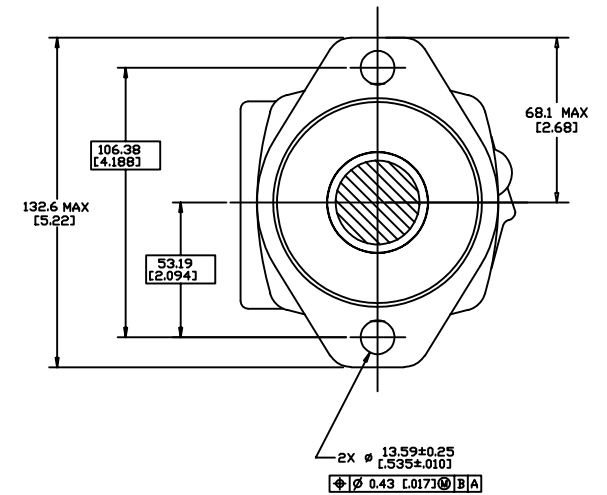
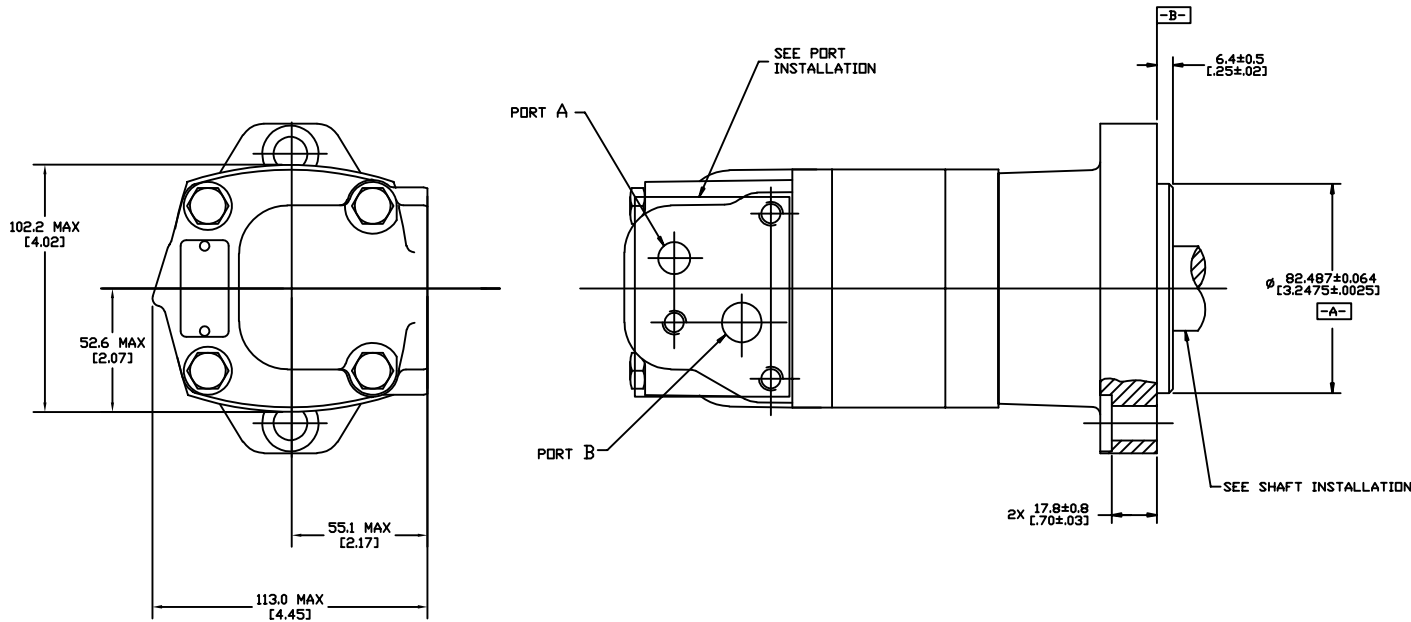


SYMBOL		REVISION		BY	DATE	ECN
A	ENGINEERING RELEASE			AGJ	8-28-93	22833
C	REVISED			CSG	03/29/98	M78769



NOTE

- 1 ROTATION:**
 STANDARD: WHEN FACING SHAFT END OF MOTOR, SHAFT TO ROTATE;
 CLOCKWISE WHEN PORT "A" IS PRESSURIZED;
 COUNTERCLOCKWISE WHEN PORT "B" IS PRESSURIZED

REVERSE: WHEN FACING SHAFT END OF MOTOR, SHAFT TO ROTATE;
 CLOCKWISE WHEN PORT "B" IS PRESSURIZED;
 COUNTERCLOCKWISE WHEN PORT "A" IS PRESSURIZED
- 2 MOUNTING TYPE: AC**
 STANDARD, 2 BOLT: $\phi 82.6$ [3.25] PILOT
 $\phi 13.59$ [0.535] HOLES ON $\phi 106.4$ [4.19]
 BOLT CIRCLE "SAE A"

REVIEWED FOR CLASSIFICATION PER ESP-042

UNLESS OTHERWISE SPECIFIED ALL DIMENSIONS ARE IN		DRAWING BASED ON ANSI Y14.5M-1982	
INCHES <input type="checkbox"/>	MILLIMETERS <input checked="" type="checkbox"/>	THE REPRODUCTION, DISTRIBUTION, AND UTILIZATION OF THIS DOCUMENT, AS WELL AS THE COMMUNICATION OF ITS CONTENTS TO OTHERS WITHOUT EXPRESS AUTHORIZATION IS PROHIBITED. OFFENDERS WILL BE HELD LIABLE FOR THE PAYMENT OF DAMAGES. ALL RIGHTS RESERVED IN THE EVENT OF THE GRANT OF A PATENT, UTILITY MODEL, OR DESIGN (PER ISO 1000).	
TOLERANCES		Danfoss	
H & ———	FRACTION	DATE	MATERIAL/HEAT TREAT
XX ± REF	DECIMAL	3/11/93	
XXX ± ONLY	FRACTION	STR 6-24-93	
———	FRACTION	SJZ 6-28-93	TITLE
UNSPECIFIED HOLE ARE	FRACTION		2000 SERIES MOTOR INSTALL
UNSPECIFIED SHAFT HOLES ARE	FRACTION		NUMBER
			A-665-008
D SIZE	DO NOT SCALE	RETENTION, INCHES	SCALE 1/1
			SHEET 1 OF 1