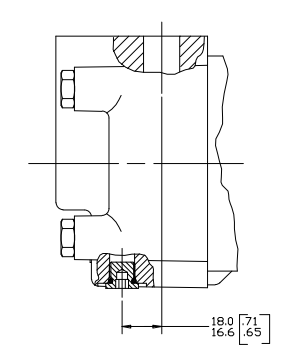
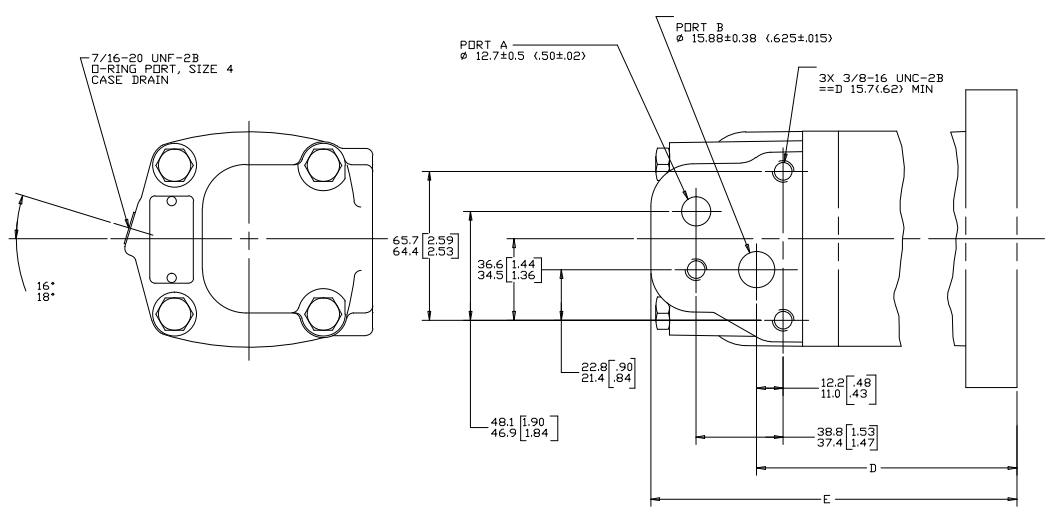


8									3			2			1														
MOUNTING TYPE AA			MOUNTING TYPE AB,AM,AP,AR,AV,BB,BF,BG,BH			MOUNTING TYPE AC,AF,AH,AN,AS,AW,AU,AY,BA,BE,BD			MOUNTING TYPE AD,AE,BJ			REV			DESCRIPTION			BY			CHK			DATE			ECN / MPS		
DISP	D	E MAX	DISP	D	E MAX	DISP	D	E MAX	DISP	D	E MAX																		
021	136.4-136.9 (5.39-5.45)	184.4 (7.26)	021	85.8-87.3 (3.38-3.44)	133.9 (5.27)	021	125.9-127.4 (4.96-5.02)	174.0 (6.85)	021	67.9-69.4 (2.68-2.74)	115.6 (4.55)	A	ENGINEERING RELEASE	AGJ		5-26-93												22833	
025	138.4-138.9 (5.47-5.51)	185.9 (7.32)	025	87.3-88.8 (3.44-3.49)	135.4 (5.33)	025	127.4-128.9 (5.02-5.08)	175.5 (6.91)	025	69.4-70.9 (2.73-2.79)	117.1 (4.61)	B	(8C)ADDED TAB MOUNTING TYPE J	GCB		2-3-97												M16891	
040	144.1-145.6 (5.67-5.73)	191.6 (7.55)	040	92.9-94.5 (3.66-3.72)	141.1 (5.56)	040	133.1-134.6 (5.24-5.30)	181.2 (7.13)	040	75.1-76.6 (2.96-3.02)	122.7 (4.84)	C	(7D)ADDED MOUNTING TYPE 7 TO TAB BLOCK	SMM		11-19-01												M26745	
049	147.3-148.3 (5.80-5.84)	195.3 (7.68)	049	96.0-97.5 (3.78-3.84)	144.0 (5.67)	049	136.1-137.7 (5.36-5.42)	184.2 (7.25)	049	77.7-80.0 (3.06-3.15)	126.5 (4.98)	D	(7D)ADDED MOUNTING TYPE R TO TAB BLOCK	AGJ		1-21-03												M29691	
055	149.4-150.9 (5.88-5.94)	197.5 (7.77)	055	98.3-99.8 (3.87-3.93)	146.3 (5.76)	055	138.5-140.0 (5.45-5.51)	186.5 (7.34)	055	80.0-82.3 (3.15-3.24)	128.8 (5.07)	E	(1)REVISED MOUNTING TAB CODES (2)NOTE 1 WAS PORT OPTION B (2)ADDED NOTE 2	AGJ		5-13-02											41044		
062	151.7-153.3 (5.97-6.03)	199.8 (7.87)	062	100.6-102.4 (3.96-4.03)	148.8 (5.86)	062	140.7-142.5 (5.54-5.61)	189.0 (7.44)	062	82.3-84.8 (3.24-3.34)	131.3 (5.17)	F	(8C)REVISED TAB VALUES FOR MOUNTING TYPE AJ	AGJ		6-18-03												44362	
080	158.5-159.5 (6.23-6.28)	206.0 (8.11)	080	107.2-108.7 (4.22-4.28)	155.2 (6.11)	080	147.3-148.8 (5.80-5.86)	195.3 (7.69)	080	88.9-91.2 (3.50-3.59)	137.7 (5.42)	G	REVISED TABULATION BLOCKS	AGJ		5-17-04												47918	
096	158.5-159.5 (6.23-6.28)	206.0 (8.11)	096	107.2-108.7 (4.22-4.28)	155.2 (6.11)	096	147.3-148.8 (5.80-5.86)	195.3 (7.69)	096	88.9-91.2 (3.50-3.59)	137.7 (5.42)	H	REVISED DISPLACEMENT FOR TABULATION BLOCKS	RG		6-26-06												56090	
119	165.1-166.1 (6.50-6.54)	212.9 (8.38)	119	114.0-115.3 (4.48-4.54)	161.8 (6.37)	119	154.2-155.4 (6.06-6.12)	201.9 (7.95)	119	95.5-97.8 (3.76-3.85)	144.3 (5.68)	J	REVISED	KNR		8-3-09												M76813	
149	174.2-175.3 (6.86-6.90)	222.0 (8.74)	149	122.9-124.5 (4.84-4.90)	171.0 (6.73)	149	163.1-164.6 (6.42-6.49)	211.1 (8.31)	149	104.6-106.9 (4.12-4.21)	153.4 (6.04)	K	ADDED DISPLACEMENT 021, 025 & 040	STS PAJ		10-12-19												M109535	
187	185.4-186.7 (7.30-7.35)	233.2 (9.18)	187	134.4-135.6 (5.29-5.34)	182.1 (7.17)	187	174.5-175.8 (6.87-6.92)	222.2 (8.75)	187	116.1-118.1 (4.57-4.65)	164.6 (6.48)																		
240	201.2-202.8 (7.92-7.98)	249.3 (9.82)	240	150.1-151.9 (5.91-5.98)	198.4 (7.81)	240	190.2-192.0 (7.49-7.56)	238.5 (9.39)	240	131.8-134.4 (5.19-5.29)	180.8 (7.12)																		
298	218.6-220.2 (8.61-8.67)	266.7 (10.50)	298	167.6-169.2 (6.60-6.66)	215.7 (8.49)	298	207.8-209.3 (8.18-8.24)	255.8 (10.07)	298	149.4-151.6 (5.88-5.97)	198.1 (7.80)																		

MOUNTING TYPE AJ & BC		
DISP	D	E MAX
021	129.7-131.3 (5.11-5.17)	177.3 (6.98)
025	131.2-132.8 (5.17-5.23)	178.8 (7.04)
040	136.9-138.4 (5.39-5.45)	184.5 (7.26)
049	139.7-141.7 (5.50-5.58)	188.2 (7.41)
055	142.0-144.0 (5.59-5.67)	190.5 (7.50)
062	144.3-146.6 (5.68-5.77)	193.0 (7.60)
080	150.9-152.9 (5.94-6.02)	199.4 (7.85)
096	150.9-152.9 (5.94-6.02)	199.4 (7.85)
119	157.5-159.5 (6.20-6.28)	206.0 (8.11)
149	166.6-168.7 (6.56-6.64)	215.1 (8.47)
187	178.1-179.8 (7.01-7.08)	226.3 (8.91)
240	193.8-196.1 (7.63-7.72)	242.6 (9.55)
298	211.3-213.4 (8.32-8.40)	259.8 (10.23)



NOTE
1 PORT OPTION: AB OR AE
2 CASE FLOW OPTION: 01 OR 07

REVIEWED FOR CLASSIFICATION PER ESP-042

DRAWING BASED ON ASME Y14.5-2009

UNLESS OTHERWISE SPECIFIED, ALL DIMENSIONS ARE IN INCHES [MILLIMETERS (INCHES)]

TOLERANCES
X ± -
XX ± .03
XXX ± .010
∠ ± 2°

UNSPECIFIED RADII ARE -
UNSPECIFIED DRAFT ANGLES ARE -
E SIZE

THE REPRODUCTION, DISTRIBUTION, AND UTILIZATION OF THIS DOCUMENT, AS WELL AS THE COMMUNICATION OF ITS CONTENTS TO OTHERS WITHOUT EXPLICIT AUTHORIZATION IS PROHIBITED. OFFENDERS WILL BE HELD LIABLE FOR THE PAYMENT OF DAMAGES. ALL RIGHTS RESERVED IN THE EVENT OF THE GRANT OF A PATENT, UTILITY MODEL OR DESIGN. (PER ISO 10010)

DRAWN BY/DATE: A. JOHNSON 3-4-93
CHECKED BY/DATE: SDB 6-24-93
ENGRG BY/DATE: SZ 6-28-93
MATERIAL/HEAT TREAT: -
TITLE: 2000 SERIES MOTOR PORT INSTALLATION
MICROINCHES [MILLIMETERS] NUMBER: 125/
SCALE: 1/1 SHEET: 1 OF 1

Danfoss