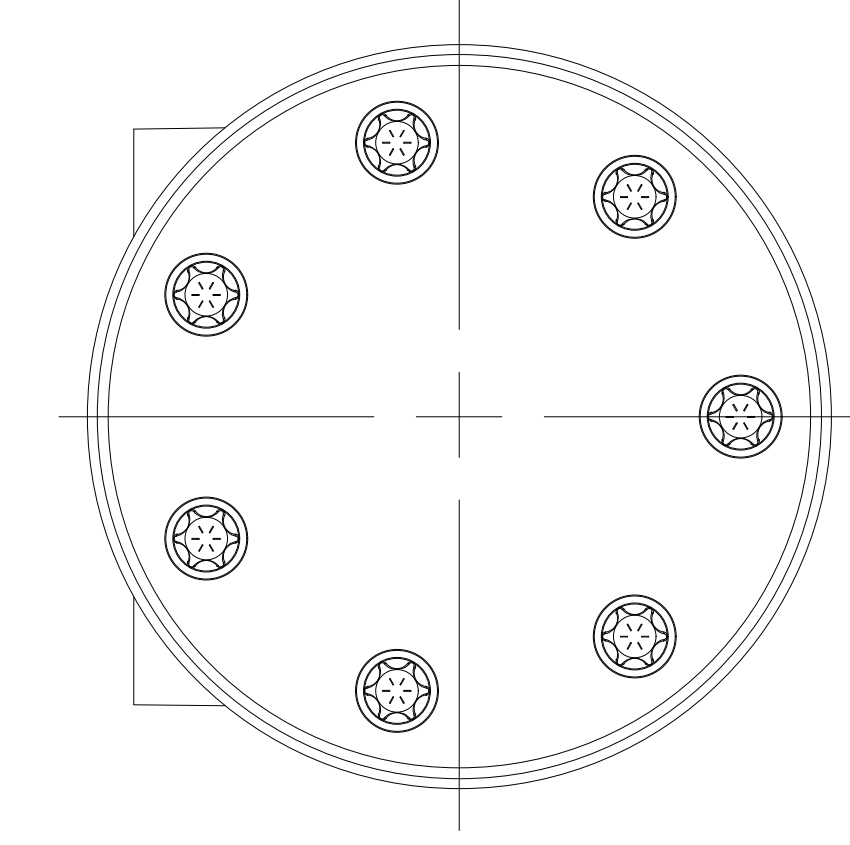
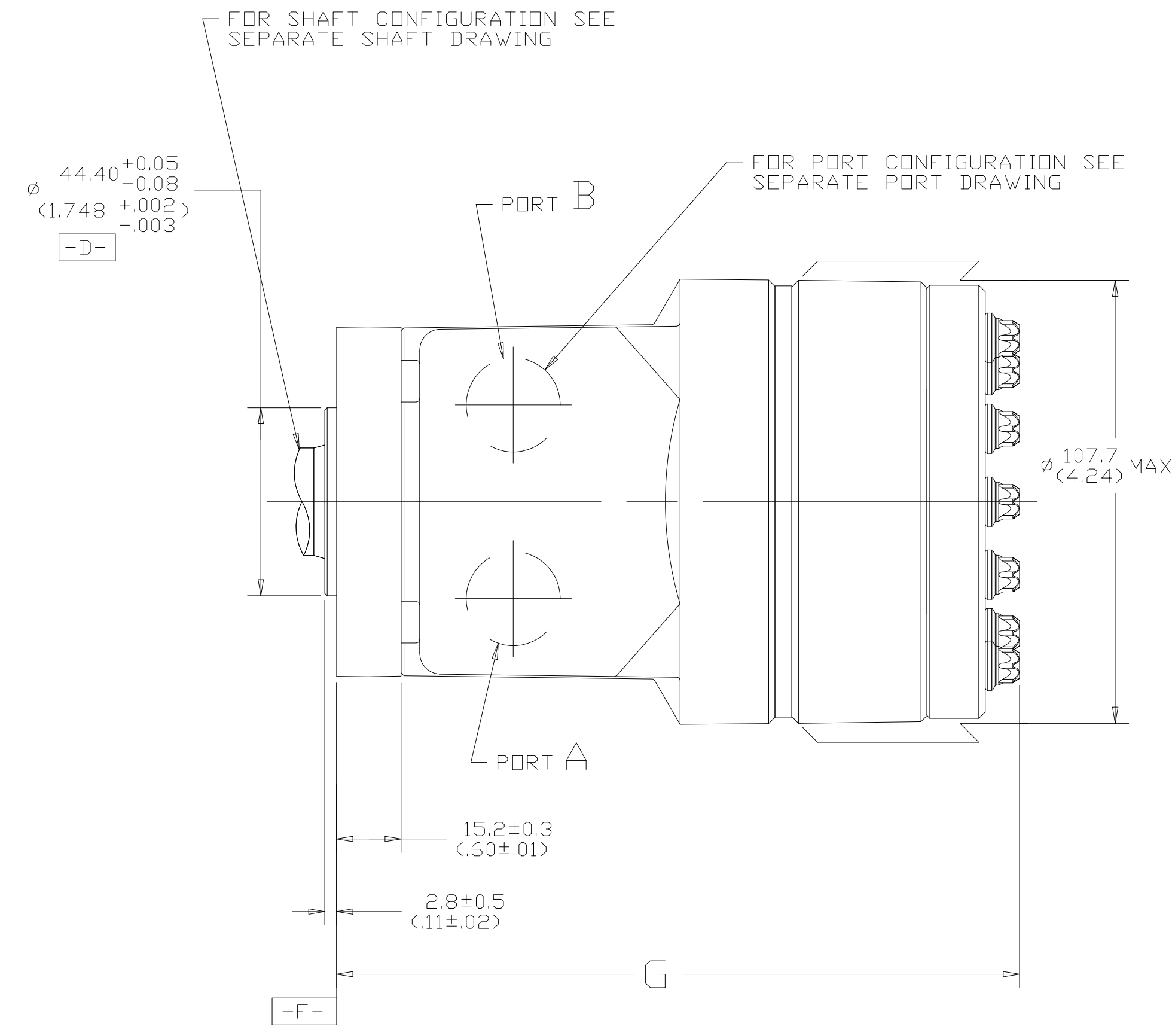
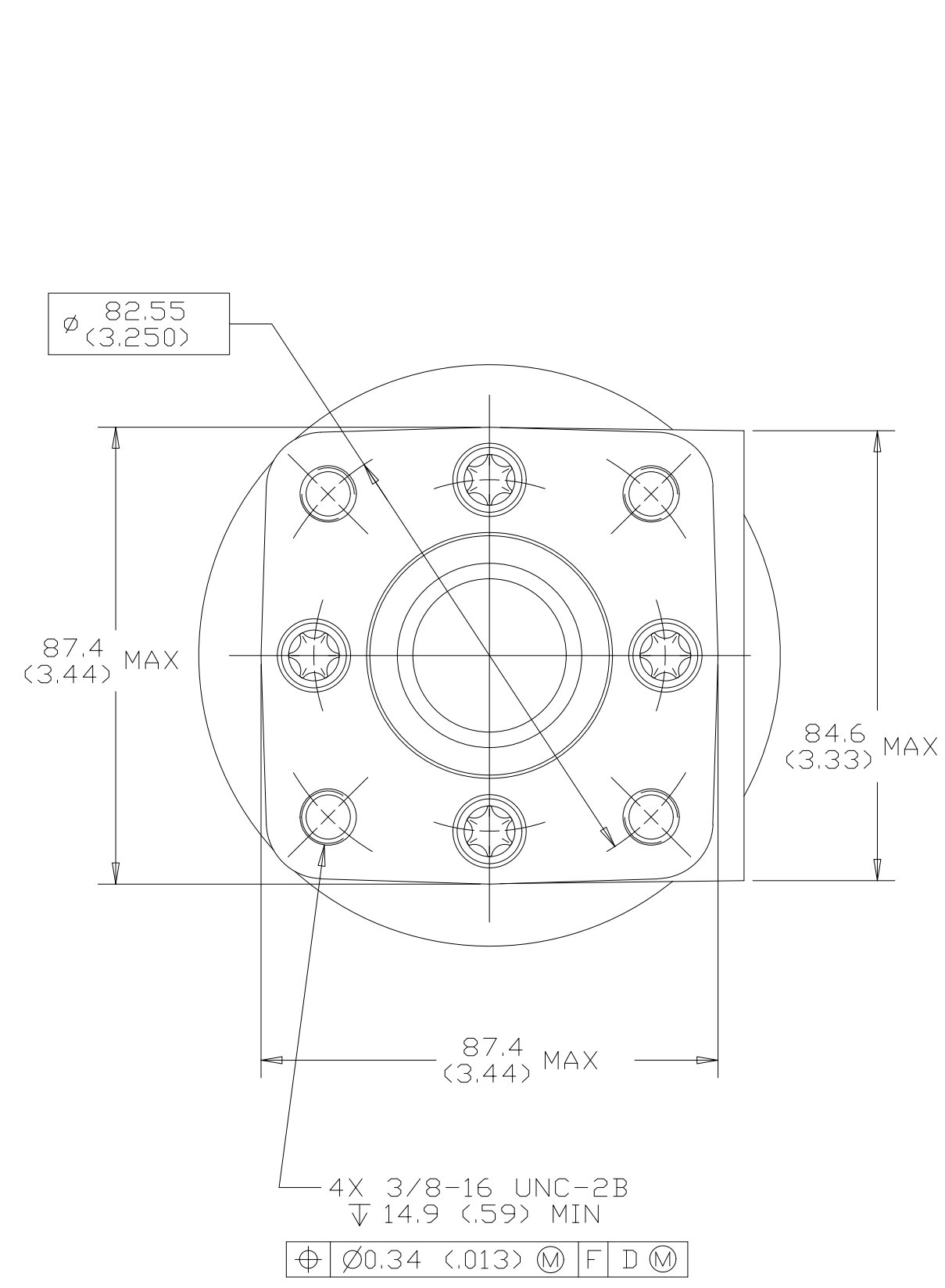


DISP. CODE	MAX
036	138.0 (5.43)
046	140.3 (5.52)
057	142.5 (5.61)
073	146.0 (5.75)
088	149.1 (5.87)
101	151.8 (5.98)
114	154.5 (6.08)
137	159.4 (6.28)
182	169.0 (6.66)
227	178.4 (7.02)

REV	DESCRIPTION	BY	CHK	DATE	ECN
A	ENGINEERING RELEASE	SMM		06-09-04	48257
B	(8A) MOUNTING TYPE WAS B,R	PRM		01-17-08	M71956
C	-1X(8C) WAS 83.4\ (3.28) MAX -2X(7B) WAS 83.4\ (3.28) MAX	SRM		04-07-04	ECR8166
D	REVISED	CSG	SSD	04-15-10	M78900
E	(8A) NOTE 3 WAS CASE DRAIN :0 ...	TTV	CSG	04-08-16	0070053
F	(8A) ADDED CASE DRAIN :10	VVH	PAJ	08-08-19	M111153



NOTE:

1 ROTATION:
 STANDARD: WHEN FACING SHAFT END OF MOTOR, SHAFT TO ROTATE CLOCKWISE WHEN PORT "A" IS PRESSURIZED COUNTERCLOCKWISE WHEN PORT "B" IS PRESSURIZED
 REVERSE : WHEN FACING SHAFT END OF MOTOR, SHAFT TO ROTATE COUNTERCLOCKWISE WHEN PORT "B" IS PRESSURIZED ROTATE CLOCKWISE WHEN PORT "A" IS PRESSURIZED

2 MOUNTING FLANGE:
 BA,BD,BN = 4 BOLT STD: $\phi 44.4$ (1.75) X 3.0 (1.2) PILOT, .375-16 UNC-2B MOUNTING HOLES ON $\phi 82.6$ (3.25) BOLT CIRCLE

3 CASE DRAIN:
 00 = NO CASE DRAIN
 10 = INTERNAL CHECK VALVES (W/O INTERNAL CHECK VALVES (S-12))

UNLESS OTHERWISE SPECIFIED ALL DIMENSIONS ARE IN INCHES MILLIMETERS

TOLERANCES
 X ± ----
 XX ± REF
 XXX ± ONLY
 < ± ----

UNSPECIFIED RADII ARE ----
 UNSPECIFIED DRAFT ANGLES ARE ----

D SIZE

DRAWING BASED ON ANSI Y14.5M-1982

THE REPRODUCTION, DISTRIBUTION, AND UTILIZATION OF THIS DOCUMENT, AS WELL AS THE COMMUNICATION OF ITS CONTENTS TO OTHERS WITHOUT EXPLICIT AUTHORIZATION IS PROHIBITED. OFFENDERS WILL BE HELD LIABLE FOR THE PAYMENT OF DAMAGES. ALL RIGHTS RESERVED IN THE EVENT OF THE GRANT OF A PATENT, UTILITY MODEL, OR DESIGN. (PER ISO 16016)

Danfoss

DRAWN BY/DATE SMM 07-02-04
 CHECKED BY/DATE AGJ 07-06-04
 ENGRG BY/DATE JML 07-06-04
 METALLURGY BY/DATE ----

MATERIAL/HEAT TREAT
 TITLE
 S MOTOR INSTALLATION

NUMBER
 A-1470-002

SCALE 1/1 SHEET 1 OF 1