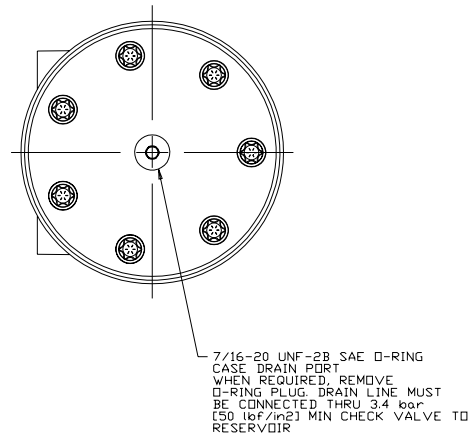
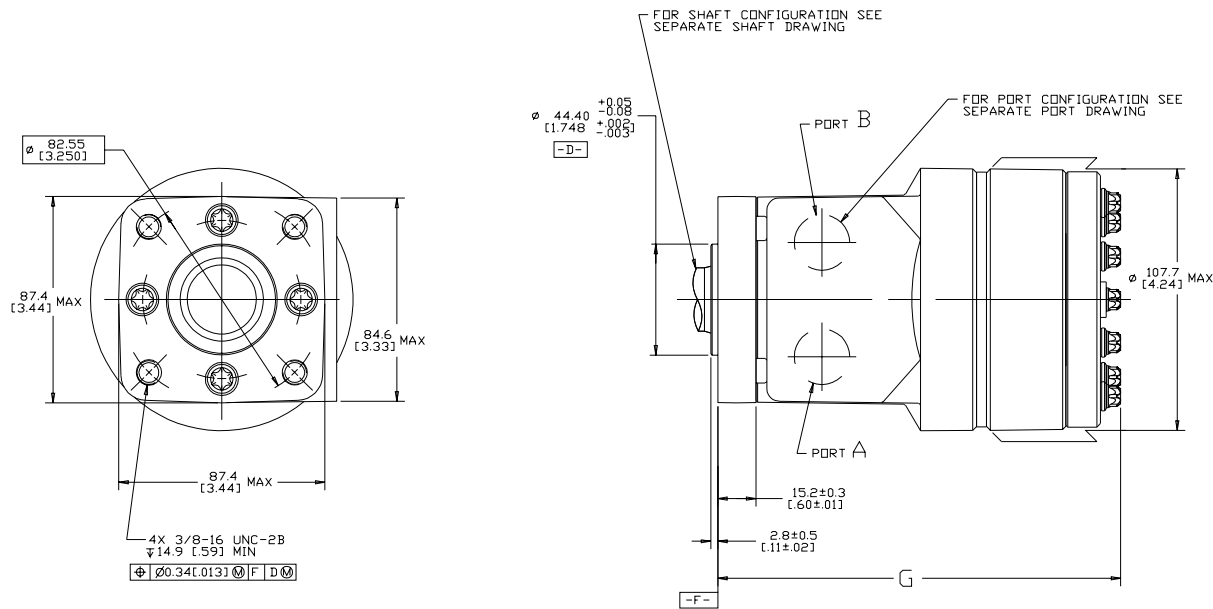


DISP. CODE	G	MAX
036	138.0	[5.43]
046	140.3	[5.52]
057	142.5	[5.61]
073	146.0	[5.75]
088	149.1	[5.87]
101	151.8	[5.98]
114	154.5	[6.08]
137	159.4	[6.28]
182	169.0	[6.66]
227	178.4	[7.02]

REV	DESCRIPTION	BY	CHK	DATE	ECN
A	ENGINEERING RELEASE	SMM		06-09-04	48257
B	-1X8C) WAS 83.4X[3.28] MAX -2X7B) WAS 83.4X[3.28] MAX	SRM		04-07-07	ECR8166
C	-1X8D)DISPL. CODE UPDATED FOR 3 DIGIT -2X7B)X7C) DIM 87.4[3.44]MAX WAS 85.9[3.38]MAX -3X7B)GD&T FRAME WAS Φ 120.34[0.131] Φ 120.34	SKS		11-04-10	M05039
D	(8A)NOTE 2 MOUNTING FLANGE CODE UPDATED				
D	(8A) NOTE 3 WAS CASE DRAIN : 1...	TTV	CSG	04-08-16	0070053



NOTE:

1 ROTATION:
STANDARD: WHEN FACING SHAFT END OF MOTOR, SHAFT TO ROTATE CLOCKWISE WHEN PORT "A" IS PRESSURIZED COUNTERCLOCKWISE WHEN PORT "B" IS PRESSURIZED
REVERSE : WHEN FACING SHAFT END OF MOTOR, SHAFT TO ROTATE COUNTERCLOCKWISE WHEN PORT "A" IS PRESSURIZED ROTATE CLOCKWISE WHEN PORT "B" IS PRESSURIZED

2 MOUNTING FLANGE:
BA,BD,BN = 4 BOLT STD: ϕ 44.4 [1.75] X 3.0 [1.2] PILOT, 3/8-16 MOUNTING HOLES ON ϕ 82.6 [3.25] BOLT CIRCLE

3 CASE DRAIN:
01 = 7/16-20 UNF-2B SAE O-RING PORT (END CAP)

REVIEWED FOR CLASSIFICATION PER ESP-042

DRAWING BASED ON ANSI Y14.5M-1982

UNLESS OTHERWISE SPECIFIED DIMENSIONS ARE IN INCHES MILLIMETERS

TOLERANCES

X	----	
XX	----	
XXX	----	
Z	----	

UNSPECIFIED RADI ARE ---

UNSPECIFIED DRAFT ANGLES ARE ---

DRAWING FORMAT CASE MANUAL

DRAWN: SMM 07-02-04
BY DATE

CHECKED: AGJ 07-06-04
BY DATE

ENGR: JML 07-06-04
BY DATE

TITLE: S MOTOR INSTALLATION

NUMBER: A-1470-102

SCALE: 1/1 SHEET 1 OF 1

DRAGONFLY BRAND