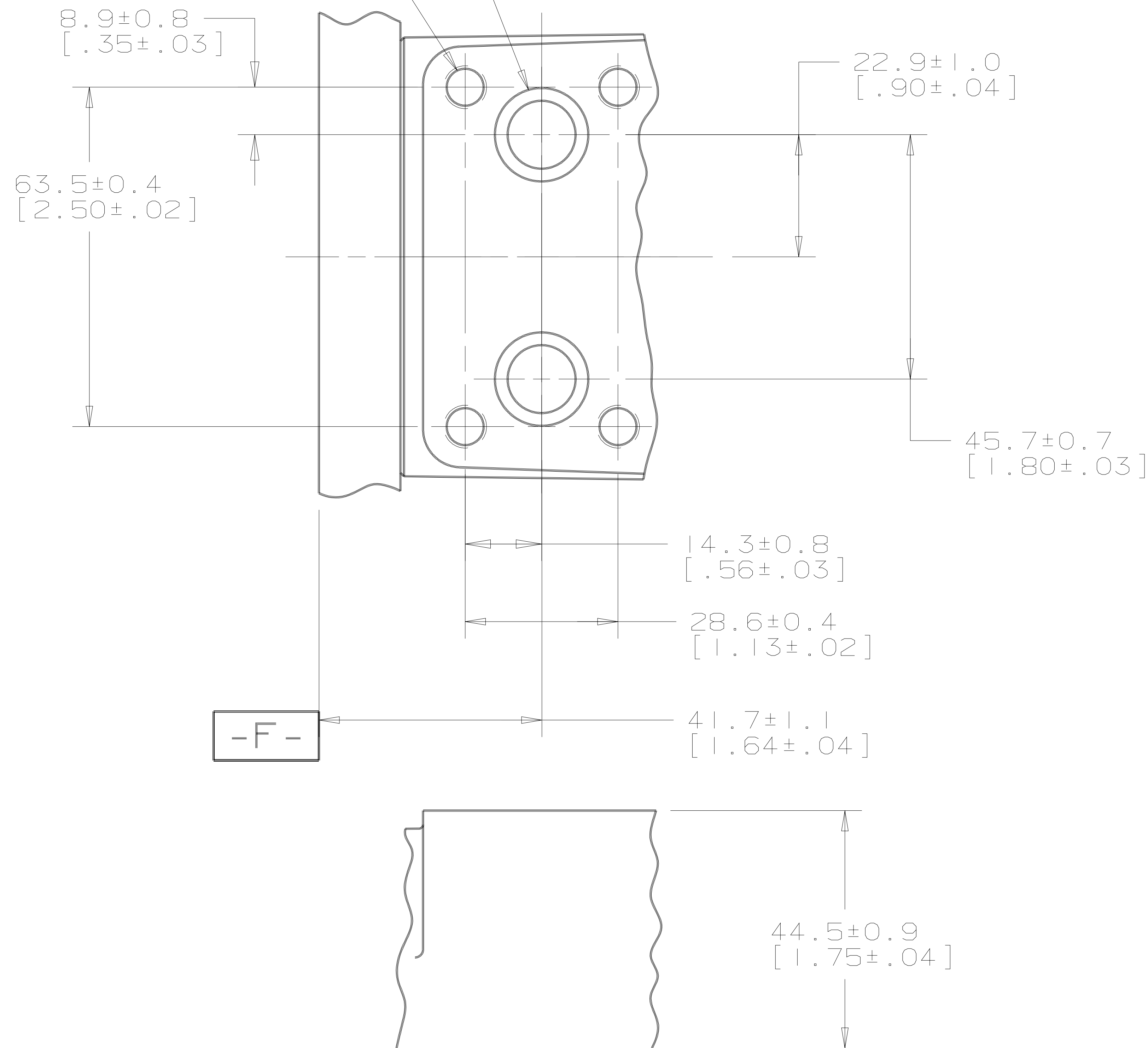


4X M8 X 1.25-6H X 12.7[.50] MIN. ∇

2X GROOVE PROVIDED FOR 12.37[.487] I.D. X 2.62[.103] CROSS SECTION O-RING (DASH NO. 112)

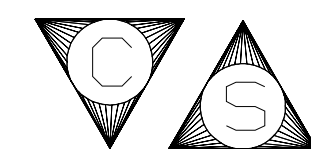


-F-

SYM	REVISION	BY	DATE	ECN
A	RELEASED FOR SAMPLES AND ESTIMATES	DK	11-10-87	14736
E	REVISED	SSD	09-18-09	M76973

PORT TYPE

AD = MANIFOLD PORTS (M8 X 1.25-6H MOUNTING HOLES)



REVIEWED FOR CLASSIFICATION PER ESP-042

UNLESS OTHERWISE SPECIFIED ALL DIMENSIONS ARE IN INCHES <input type="checkbox"/> MILLIMETERS [INCHES] <input checked="" type="checkbox"/>	DRAWING BASED ON ANSI Y14.5M-1982		
	THE REPRODUCTION, DISTRIBUTION, AND UTILIZATION OF THIS DOCUMENT, AS WELL AS THE COMMUNICATION OF ITS CONTENTS TO OTHERS WITHOUT EXPLICIT AUTHORIZATION IS PROHIBITED. OFFENDERS WILL BE HELD LIABLE FOR THE PAYMENT OF DAMAGES. ALL RIGHTS RESERVED IN THE EVENT OF THE GRANT OF A PATENT, UTILITY MODEL, OR DESIGN. (PER ISO 16016)		
TOLERANCES .X ± --- .XX ± --- .XXX ± --- ∅ ± ---°	DRAWN DK BY/DATE 11-18-87 CHECKED KO BY/DATE 1-26-88 ENGRG WCW 	MATERIAL/HEAT TREAT -	TITLE PORT INSTALLATION
UNSPECIFIED RADII ARE: -----	<input checked="" type="checkbox"/> THIRD ANGLE PROJECTION <input type="checkbox"/> FIRST ANGLE PROJECTION	MICROINCHES <input type="checkbox"/> MICROMETERS [MICROINCHES] <input type="checkbox"/> ARITHMETICAL AVERAGE <input checked="" type="checkbox"/>	
UNSPECIFIED DRAFT ANGLES ARE: -----°	B SIZE	DO NOT SCALE	