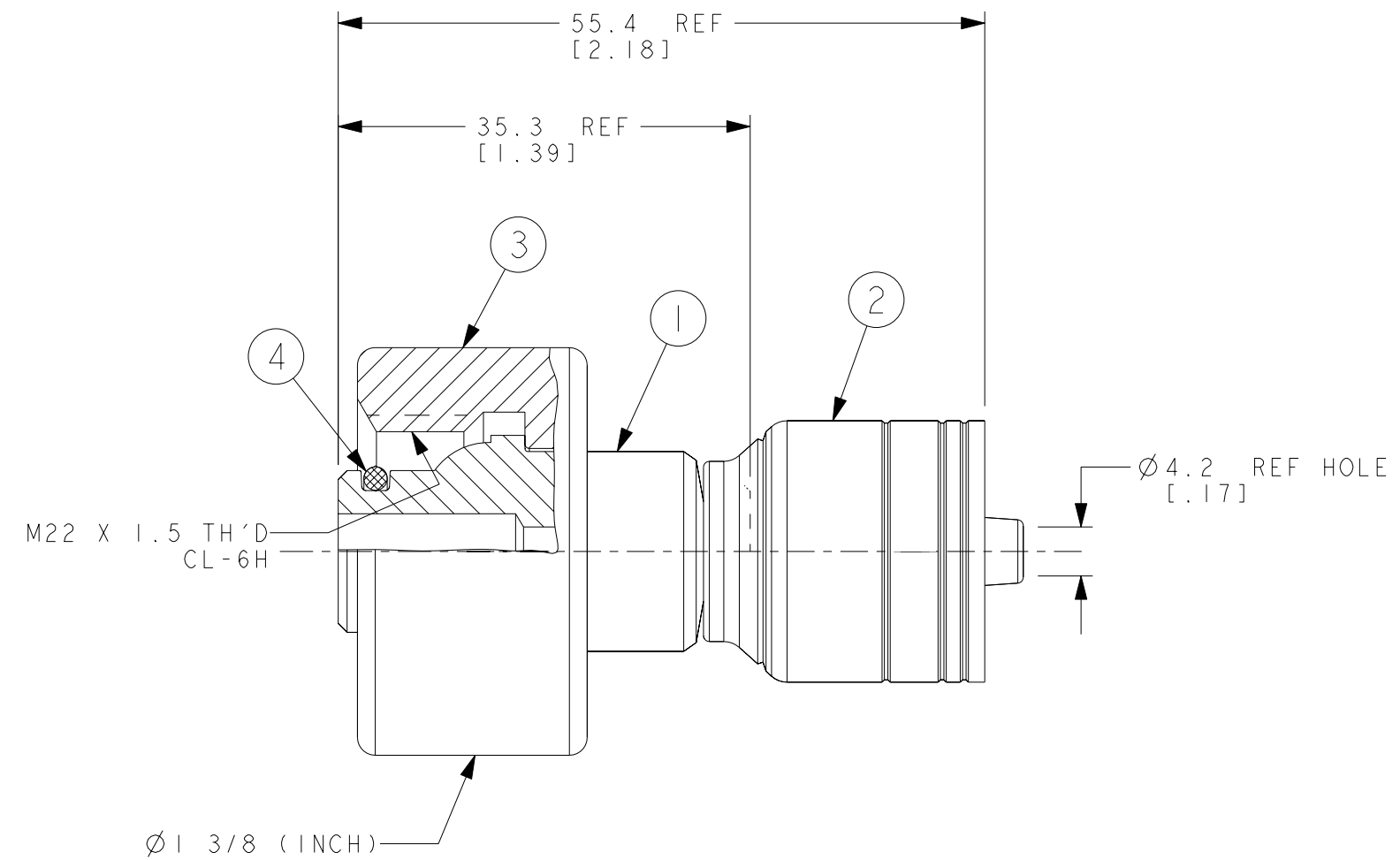


REVISIONS			
REV	DESCRIPTION	DATE	APPROVED
A	REDRAWN ON PRO/E. 1) ADDED AEROQUIP PART NO. 2) SOCKET WAS 04Z-C00.	2010-06-23 RSW/DHS	0045035-ECO



METRIC

04Z-6PW	EJ5293-0604-206	04Z-B006PW	1A4	431-01699	121-10030
WEATHERHEAD PART NO.	AEROQUIP PART NO.	① NIPPLE	② SOCKET	③ NUT	④ O-RING

LIST OF MATERIALS

ITEM NO.	MATERIAL
1	STEEL
2	STEEL
3	BRASS
4	BUNA-N

DRAWN R. WALGUDE CHECKED D. SHEVALE APPROVED D. KOTHAVALA RELEASE DATE 2010-06-23 0045035-ECO THIRD ANGLE PROJECTION	FLUID CONVEYANCE DIVISION DRAWING TITLE FITTING ASSEMBLY PRESSURE WASH 1 AND 2 WIRE BRAIDED HOSE
SIZE A3 SCALE 2/1	DRAWING NUMBER 04Z-6PW DIST U CAGE CODE 01276 SHEET 1
THE REPRODUCTION, DISTRIBUTION AND UTILIZATION OF THIS DOCUMENT AS WELL AS THE COMMUNICATION OF ITS CONTENTS TO OTHER WITHOUT EXPLICIT AUTHORIZATION IS PROHIBITED. OFFENDERS WILL BE HELD LIABLE FOR THE PAYMENT OF DAMAGES. ALL RIGHT RESERVED IN THE EVENT OF THE GRANT OF A PATENT, UTILITY MODEL OR DESIGN. (PER ISO 16016)	

2. CRIMP SOCKET PER ACES 2813.
1. DIMENSIONS ARE IN MILLIMETERS [INCHES].