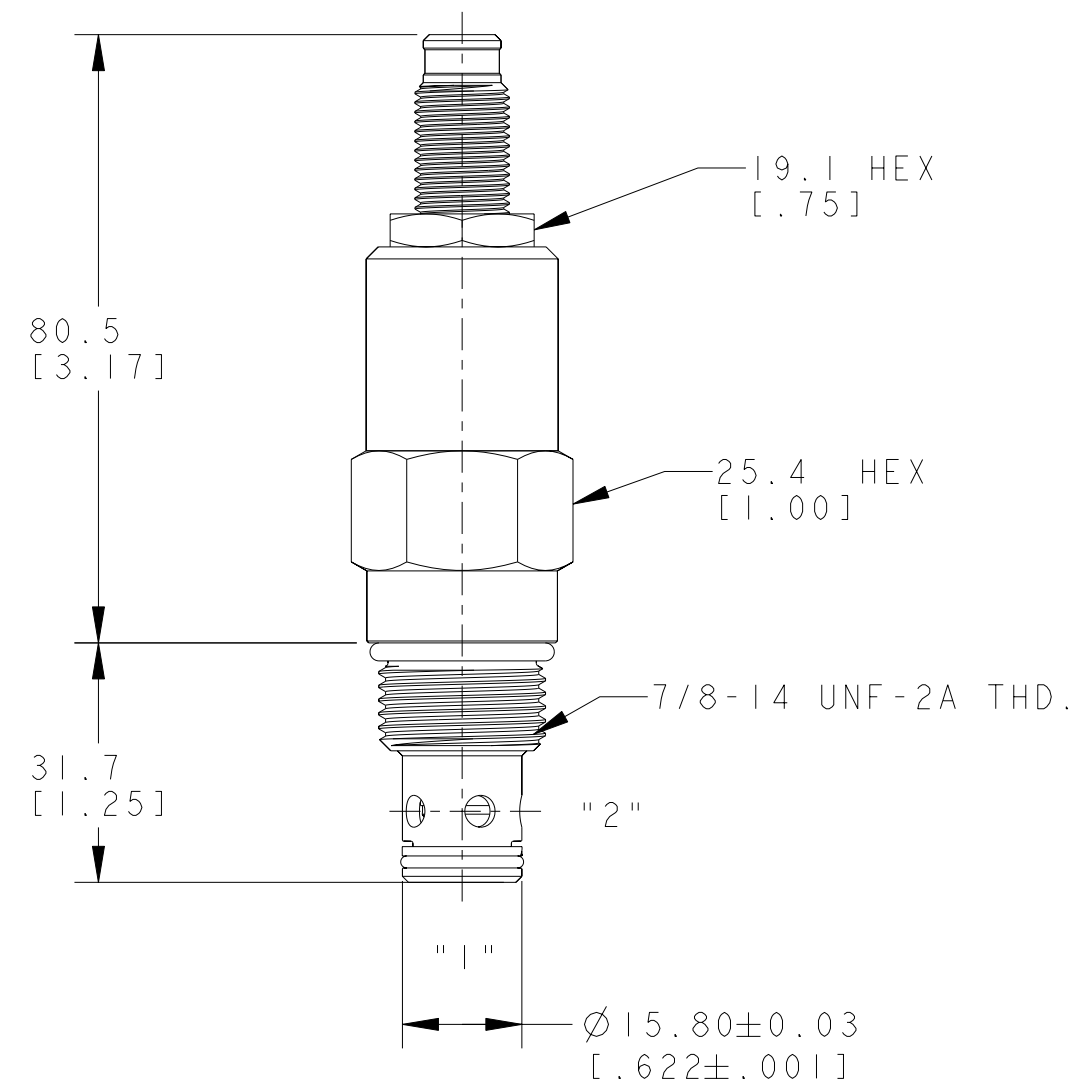


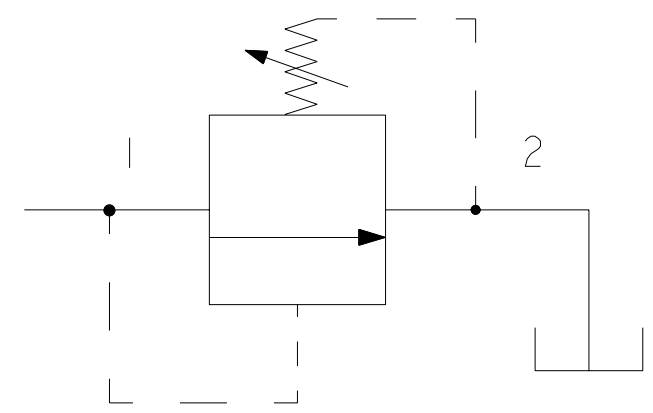
REV	DESCRIPTION	BY	CHK	DATE	ECN / MPS
A	ENGINEERING RELEASE	RSI	JGS	2/12/05	M63978



NOTE:

- USE VALVE CAVITY C-10-2.
- NET WEIGHT OF CARTRIDGE: 0.22kg [0.48 lb]
- TORQUE INTO CAVITY:
 ALUMINIUM CAVITY: 47-54 N.m [35-40 lbf.ft]
 STEEL CAVITY : 68-75 N.m [50-55 lbf.ft]

MC
DISTRIBUTION CODE(S)



UNLESS OTHERWISE SPECIFIED ALL DIMENSIONS ARE IN		DRAWING BASED ON ANSI Y14.5M-1982	
INCHES	<input type="checkbox"/>	THE REPRODUCTION, DISTRIBUTION, AND UTILIZATION OF THIS DOCUMENT, AS WELL AS THE COMMUNICATION OF ITS CONTENTS TO OTHERS WITHOUT EXPLICIT AUTHORIZATION IS PROHIBITED. OFFENDERS WILL BE HELD LIABLE FOR THE PAYMENT OF DAMAGES. ALL RIGHTS RESERVED IN THE EVENT OF THE GRANT OF A PATENT, UTILITY MODEL, OR DESIGN. (PER ISO 16016)	
MILLIMETERS (INCHES)	<input checked="" type="checkbox"/>		
TOLERANCES		DRAWN SKS BY/DATE 06/27/05	
.X ± --			
.XX ± --		MATERIAL/HEAT TREAT	
.XXX ± --		--	
< ± --		CHECKED ARS BY/DATE 06/28/05	
UNSPECIFIED RADII ARE:		ENGRG --	
--		BY/DATE --	
UNSPECIFIED DRAFT ANGLES ARE:		METALLURGY --	
--°		BY/DATE --	
B SIZE		THIRD ANGLE PROJECTION	
		DO NOT SCALE	
		MICROINCHES <input checked="" type="checkbox"/> MICROMETERS (MICROINCHES) <input type="checkbox"/>	
		ARITHMETICAL AVERAGE <input checked="" type="checkbox"/>	
		NUMBER	
		A-2682-086	
		SCALE 1/1	
		SHEET 1 OF 1	



RVI-10-S INSTALLATION